

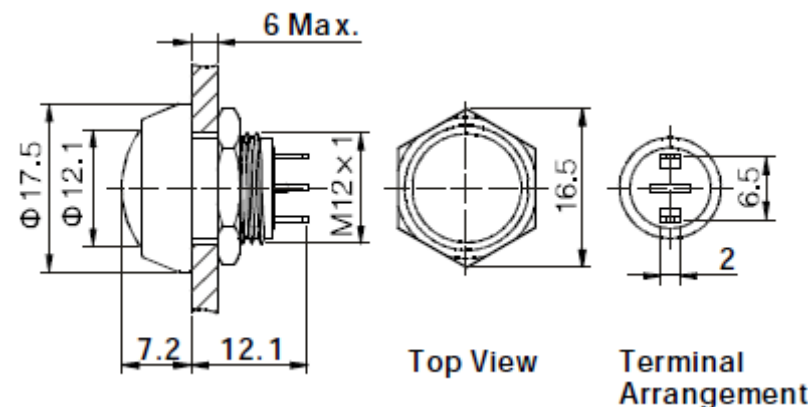
EDCON-COMPONENTS



Specifications

Switch Rating:	2A/36VDC
Contact Configuration:	1NO
Operating Type:	Momentary
Crust Material:	Stainless Steel or Nickel Plated Brass
IP-Degree:	IP65
Terminal Type:	Solder Lug
Switching:	ON (Momentary)
Contact Resistance:	≤ 50mΩ
Insulation Resistance:	≥ 1000MΩ
Dielectric Strength:	2000VAC
Operating Temperature:	. -20°C ~ +55°C
Mechanical Life:	1.000.000 cycles
Electrical Life:	200.000 cycles
Panel Thickness:	1 ~ 6mm
Torque:	5 ~ 14Nm
Operating Pressure:	About 5N
Operating Distance:	About 2,5Nm

Drawing



Material

Contact:	Silver Alloy
Button:	Stainless Steel or Nickel Plated
Body:	Stainless Steel or Nickel Plated
Base:	PBT
ROHS:	Made to Order-Code

12MM Anti-Vandal-Switch

Part No.: **Q36008**

DRW:	Jason	CHKD	Wilson	MATL:	Wilson	TOLERANCE	Mason	DATE	20.08.2009	Customer:
APPD:	Schumi			FINISH	Jamy		Sheet No.	1 from 2		

EDCON-COMPONENTS



Ordering Informations

Serie	Front Shape	Contact Structure	Lamp Type	Connect Type	Lamp Color	Lamp Voltage	Crust Material	ROHS	Packing Style	
Q36008	B	10	N	1	A	0	N	R	N	

B= Domed	10= 1NO	N= no Function	1= Solder Lug	A= without Lamp	0= without	N= Nickel Plated Brass	R= ROHS Conform	N= White Carton
							N= NON ROHS Conform	I= Individual Packing

12MM Anti-Vandal-Switch

Part No.: **Q36008**

DRW:	Jason	CHKD	Wilson	MATL:	Wilson	TOLERANCE	Mason	DATE	20.08.2009
APPD:	Schumi			FINISH	Jamy		Sheet No.		2 from 2

Customer: