

# EDCON-COMPONENTS

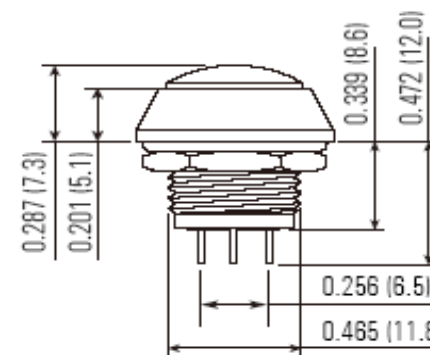
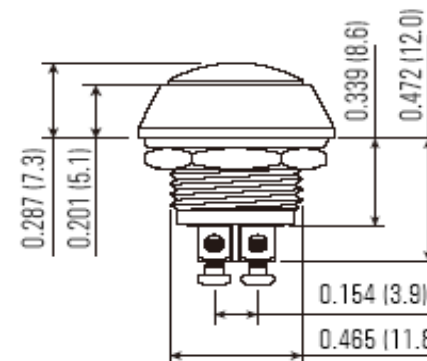
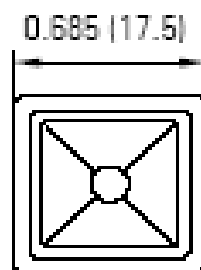


## Description

## Dimensions (mm)

### Mechanical

Cut Out Diameter:	12,1mm
Material:	
Actuator:	Stainless Steel / Brass/PBT
Body:	Stainless Steel / Brass/Zin-Al
Terminal:	Brass silver plated
Contact Material :	Silver Alloy
Base:	PBT
Actuator Color Available:	red, green, yellow, orange, blue, white, black
Torque:	5~14Nm
Protection Degree:	IP65
Mechanical Life:	1.000.000 cycles
Frontpanel thickness:	6,0mm max.



### Electrical

Contact Rating:	2A/48VDC
Contact Resistance:	50m Ω Max.
Insulation Resistance:	> 1000mΩ
Dielectric Strength:	AC 2000V
Operating Temperature:	-20°C ~ +55°C
Electrical Life:	200.000 cycles

**Anti Vandal Push Button  
Square Type**

Part No.: **Q35021**

DRW:	Jason	CHKD	Wilson	MATL:	Wilson	TOLERANCE	Mason	DATE	26.05.2012
APPD:	Schumi			FINISH	Jamy		Sheet No.	1 from 3	Customer:

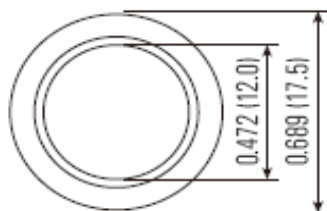
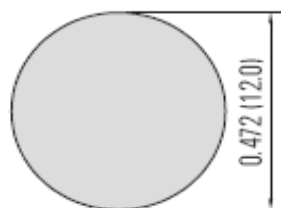
[www.edcon-components.com](http://www.edcon-components.com)

email: [info@edcon-components.com](mailto:info@edcon-components.com)

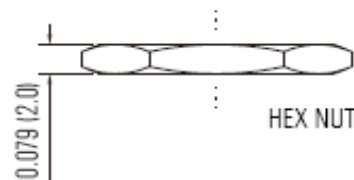
# EDCON-COMPONENTS



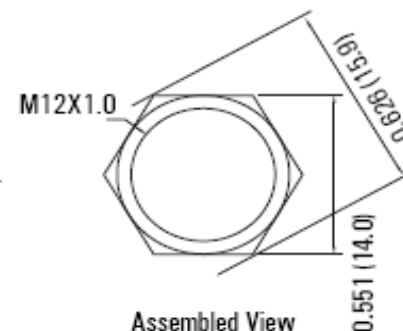
## Technical Dimensions and Features



Max. Panel Thickness 6,0mm



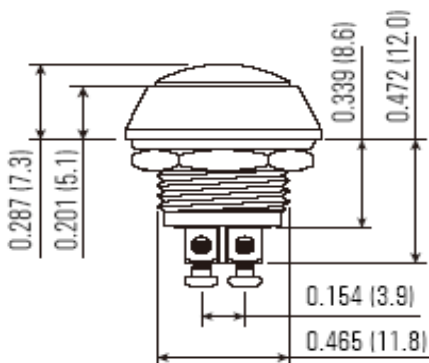
Exploded View



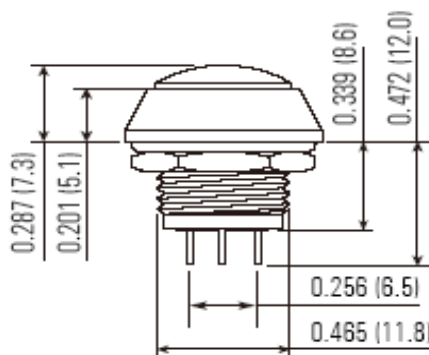
Assembled View

## Terminal Style

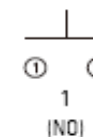
## Function of Switch



Screw Type



Solder Type



**Anti Vandal Push Button  
Square Type**

Part No.: **Q35021**

DRW:	Jason	CHKD	Wilson	MATL:	Wilson	TOLERANCE	Mason	DATE	26.05.2012
APPD:	Schumi			FINISH	Jamy		Sheet No.		2 from 3

Customer:



**Ordering Informations**

Serie	Color of Knop	Switch function	LED	Terminal Style	Body Material	Special function	Special function	ROHS	Packing	
-------	---------------	-----------------	-----	----------------	---------------	------------------	------------------	------	---------	--

<b>Q35021</b>	-	<b>RD</b>	<b>A</b>	<b>N</b>	<b>A</b>	<b>ZN</b>	<b>AA</b>	<b>00</b>	<b>R</b>	<b>BU</b>
---------------	---	-----------	----------	----------	----------	-----------	-----------	-----------	----------	-----------

<b>RD= Red</b>	<b>A= OFF-(ON)</b>	<b>N= Without LED</b>	<b>A= Solder (2,0x0,5mm)</b>	<b>ZN= Zinc Alloy Black (Standard)</b>	<b>AA= No</b>	<b>00= No</b>	<b>R= ROHS Conform</b>	<b>BU= Bulk Ware</b>
<b>GN= Green</b>			<b>S= Screw</b>				<b>N= NON ROHS Conform</b>	
<b>YE= Yellow</b>				<b>NI= Nickel plated brass</b>				
<b>OR= Orange</b>				<b>SS= Stainless Steel</b>				
<b>BL= Blue</b>								
<b>WH= White</b>								
<b>BK= Black</b>								

**Anti Vandal Push Button  
 Square Type**

Part No.: **Q35021**

DRW:	Jason	CHKD	Wilson	MATL:	Wilson	TOLERANCE	Mason	DATE	26.05.2012	Customer:
APPD:	Schumi			FINISH	Jamy		Sheet No.	3 from 3		