

EDCON-COMPONENTS



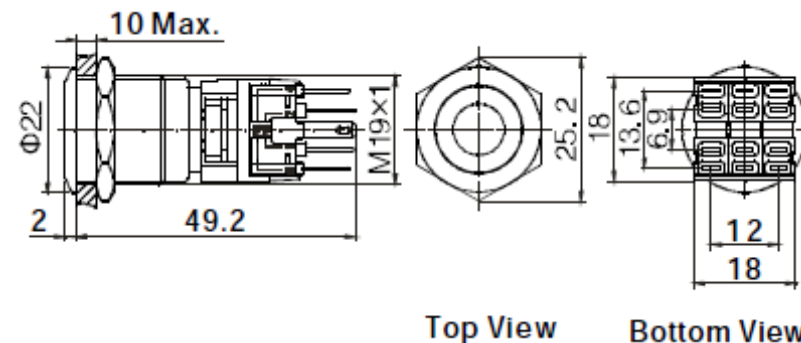
Specifications

Switch Rating:	5A/250VAC
Contact Configuration:	1NO1NC / 2NO2NC / 3NO/3NC
Operating Type:	Momentary / Alternate
IP-Degree:	IP67
Crust Material:	Stainless Steel
Terminal Type:	Solder Lug (2,8x0,5mm)
Switching:	ON / OFF
Contact Resistance:	≤ 50mΩ
Insulation Resistance:	≥ 1000MΩ
Dielectric Strength:	2000VAC
Operating Temperature:	.-20°C ~ +55°C
Mechanical Life:	1.000.000 cycles
Electrical Life:	50.000 cycles
Panel Thickness:	1 ~ 10mm
Torque:	5 ~ 14Nm
Operating Pressure:	About 5,5 ~ 8Nm
Operating Distance:	About 3,1mm

Material

Contact:	Silver Alloy												
Button:	Stainless Steel												
Body:	Stainless Steel												
Base:	PBT												
ROHS:	Made to Order-Code												
Type:	Illuminated (LED)												
Color:	<table border="0"> <tr> <td>R</td><td>Y</td><td>O</td> <td>G</td><td>B</td><td>W</td> </tr> <tr> <td></td><td></td><td></td> <td></td><td></td><td></td> </tr> </table>	R	Y	O	G	B	W						
R	Y	O	G	B	W								
Rated Voltage:	AC/DC 1,7V AC/DC 2,8V												
Rated Current:	20mA												
Lifetime:	40000Hrs												

Drawing



Current Limiting Resistance Configuration Table

Operating Voltage (U)	6V	12V	24V	36V
R Y O	210Ω, 1/4W	510Ω, 1/4W	1,2KΩ, 1/4W	2,2KΩ, 1/4W
G B W	160Ω, 1/4W	470Ω, 1/4W	1,2KΩ, 1/4W	2,2KΩ, 1/4W

Formula	
R=	$\frac{U - U_e}{I_e}$

19MM Anti-Vandal-Switch
Part No.: **Q35014**

DRW:	Jason	CHKD	Wilson	MATL:	Wilson	TOLERANCE	Mason	DATE	14.03.2017	Customer:
APPD:	Schumi			FINISH	Jamy		Sheet No.	1 from 3		

EDCON-COMPONENTS



Visual Effect of Surface



Nickel - plated brass
(Satin surface)



Stainless steel (Spiral surface)



Gold - plated brass (Satin surface)

Order Code	 A4	 A3	 A2	 A1
Order Code	 A8	 A7	 A6	 A5
Order Code	 B3	 B2	 B1	 A9
Order Code	 Bx	 Bx	 B5	 B4

19MM Anti-Vandal-Switch

Part No.: **Q35014**

Customer:

DRW:	Jason	CHKD	Wilson	MATL:	Wilson	TOLERANCE	Mason	DATE	14.03.2017
APPD:	Schumi			FINISH	Jamy		Sheet No.		2 from 3

EDCON-COMPONENTS



Ordering Informations

Serie	Front Shape	Contact Structure	Lamp Type	Connect Type	Lamp Color	Lamp Voltage	Crust Material	Engraving Options	ROHS	Packing Style
Q35014	F	10	D	3	A	0	S	00	R	N

F= Flat	11= 1NO1NC Momentary	D= DOT-Size 	3= Pin Terminal	A= No Function	0= with 0R Resistor before LED	S= Stainless Steel	00= No function	R= ROHS Conform	N= White Carton
	22= 2NO2NC Momentary		R= Red	G= Green	1= 6V AC/DC	N= Nickel Plated Brass		N= NON ROHS Conform	I= Individual Packing
	33= 1NO1NC Latching function		Y= Yellow	O= Orange	2= 12V AC/DC	G= Gold Plated Brass			
	44= 2NO2NC Latching function		B= Blue	W= White	3= 24V AC/DC	K= Zn-Alloy (colorized Button Black)		B= Zn-Alloy (colorized Button Bronze)	
			P= Dual LED Red/Green	4= 36V AC/DC	5= 48V AC/DC				
			Z= Dual LED Red/Blue	6= 110V AC/DC	7= 230V AC/DC				
			Y= Dual LED Green/Blue	X= can we make by order					
			T= RGB-LED Tripple Colour						

19MM Anti-Vandal-Switch
 Part No.: **Q35014**

DRW:	Jason	CHKD	Wilson	MATL:	Wilson	TOLERANCE	Mason	DATE	14.03.2017	Customer:
APPD:	Schumi			FINISH	Jamy		Sheet No.	3 from 3		