

EDCON-COMPONENTS



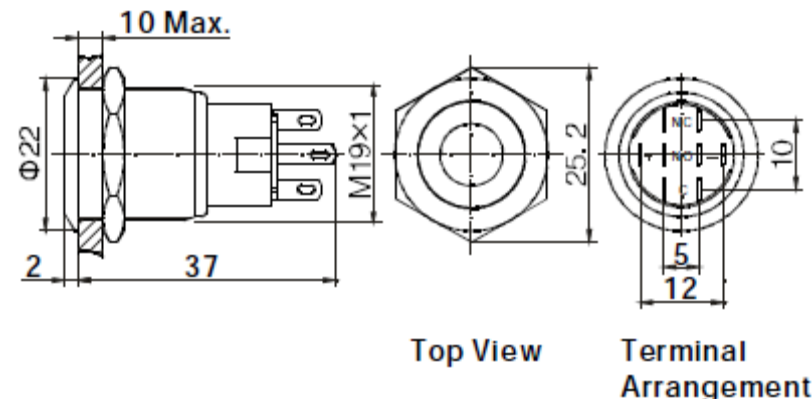
Specifications

| | |
|------------------------|------------------------|
| Switch Rating: | 5A/250VAC |
| Contact Configuration: | 1NO1NC / 2NO2NC |
| Operating Type: | Momentary / Alternate |
| IP-Degree: | IP67 |
| Crust Material: | Stainless Steel |
| Terminal Type: | Solder Lug (2,8x0,5mm) |
| Switching: | ON / OFF |
| Contact Resistance: | ≤ 50mΩ |
| Insulation Resistance: | ≥ 1000MΩ |
| Dielectric Strength: | 2000VAC |
| Operating Temperature: | .-20°C ~ +55°C |
| Mechanical Life: | 1.000.000 cycles |
| Electrical Life: | 50.000 cycles |
| Panel Thickness: | 1 ~ 10mm |
| Torque: | 5 ~ 14Nm |
| Operating Pressure: | About 4N |
| Operating Distance: | About 2,5Nm |

Material

| | | | | | | | | | | | | | | | |
|----------------|--|---|---|------------|---|---|---|---|------------|--|--|--|------------|--|--|
| Contact: | Silver Alloy | | | | | | | | | | | | | | |
| Button: | Stainless Steel | | | | | | | | | | | | | | |
| Body: | Stainless Steel | | | | | | | | | | | | | | |
| Base: | PBT | | | | | | | | | | | | | | |
| ROHS: | Made to Order-Code | | | | | | | | | | | | | | |
| Type: | Illuminated (LED) | | | | | | | | | | | | | | |
| Color: | <table border="0" style="display: inline-table; vertical-align: middle;"> <tr> <td style="background-color: red; color: white; padding: 2px;">R</td> <td style="background-color: yellow; color: black; padding: 2px;">Y</td> <td style="background-color: orange; color: white; padding: 2px;">O</td> <td style="padding: 0 10px;"> </td> <td style="background-color: green; color: white; padding: 2px;">G</td> <td style="background-color: cyan; color: white; padding: 2px;">B</td> <td style="background-color: grey; color: white; padding: 2px;">W</td> </tr> <tr> <td colspan="3">AC/DC 1,7V</td> <td></td> <td colspan="3">AC/DC 2,8V</td> </tr> </table> | R | Y | O | | G | B | W | AC/DC 1,7V | | | | AC/DC 2,8V | | |
| R | Y | O | | G | B | W | | | | | | | | | |
| AC/DC 1,7V | | | | AC/DC 2,8V | | | | | | | | | | | |
| Rated Voltage: | AC/DC 1,7V | | | | | | | | | | | | | | |
| Rated Current: | 20mA | | | | | | | | | | | | | | |
| Lifetime: | 40000Hrs | | | | | | | | | | | | | | |

Drawing



Current Limiting Resistance Configuration Table

| Operating Voltage (U) | 6V | 12V | 24V | 36V |
|----------------------------|------------|------------|-------------|-------------|
| R Y O | 210Ω, 1/4W | 510Ω, 1/4W | 1,2KΩ, 1/4W | 2,2KΩ, 1/4W |
| G B W | 160Ω, 1/4W | 470Ω, 1/4W | 1,2KΩ, 1/4W | 2,2KΩ, 1/4W |

| | |
|---------|-----------------------|
| Formula | |
| R= | $\frac{U - U_e}{I_e}$ |

19MM Anti-Vandal-Switch

Part No.: **Q35012**

| | | | | | | | | | |
|-------|--------|---------|--------|-------|--------|------------|-------|-------|------------|
| DRW: | Jason | CHKD: | Wilson | MATL: | Wilson | TOLERANCE: | Mason | DATE: | 14.03.2017 |
| APPD: | Schumi | FINISH: | Jamy | | | Sheet No.: | | | 1 from 3 |

EDCON-COMPONENTS



Visual Effect of Surface



Nickel - plated brass
(Satin surface)



Stainless steel (Spiral surface)



Gold - plated brass (Satin surface)

| | | | | |
|------------|--------|-------------------------------------|--------|--------|
| Order Code | A4 | A3 | A2 | A1 |
| Order Code | A8 | A7 | A6 | A5 |
| Order Code | B3 | B2 | B1 | A9 |
| Order Code | Bx | You can create our own symbol Bx | B5 | B4 |

| | |
|--------------------------------|---------------|
| 19MM Anti-Vandal-Switch | |
| Part No.: | Q35012 |
| Customer: | |

| | | | | | | | | | |
|-------|--------|------|--------|--------|--------|-----------|-----------|------|------------|
| DRW: | Jason | CHKD | Wilson | MATL: | Wilson | TOLERANCE | Mason | DATE | 14.03.2017 |
| APPD: | Schumi | | | FINISH | Jamy | | Sheet No. | | 2 from 3 |

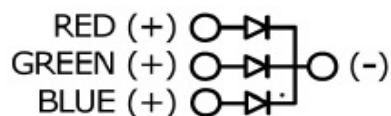
EDCON-COMPONENTS



Ordering Informations

| Serie | Front Shape | Contact Structure | Lamp Type | Connect Type | Lamp Color | Lamp Voltage | Crust Material | Engraving Options | ROHS | Packing Style |
|---------------|-------------|-------------------|-----------|--------------|------------|--------------|----------------|-------------------|----------|---------------|
| Q35012 | F | 11 | D | 3 | A | 0 | S | 00 | R | N |

| | | | | | | | | | |
|----------------|-------------------------------------|------------------------|------------------------|----------------------------------|---|--|------------------------|--|--|
| F= Flat | 11= 1NO1NC Momentary | D= DOT-Size | 3= Pin Terminal | A= No Function | 0= with 0R Resistor before LED 1= 6V AC/DC 2= 12V AC/DC 3= 24V AC/DC 4= 36V AC/DC 5= 48V AC/DC 6= 110V AC/DC 7= 230V AC/DC X= can we make by order | S= Stainless Steel N= Nickel Plated Brass G= Gold Plated Brass K= Zn-Alloy (colorized Button Black) B= Zn-Alloy (colorized Button Bronze) | 00= No function | R= ROHS Conform N= NON ROHS Conform | N= White Carton I= Individual Packing |
| | 22= 2NO2NC Momentary | | | R= Red | | | | | |
| | 33= 1NO1NC Latching function | | | G= Green | | | | | |
| | 44= 2NO2NC Latching function | | | Y= Yellow | | | | | |
| | | | | O= Orange | | | | | |
| | | | | B= Blue | | | | | |
| | | | | W= White | | | | | |
| | | | | P= Dual LED Red/Green | | | | | |
| | | | | Z= Dual LED Red/Blue | | | | | |
| | | | | Y= Dual LED Green/Blue | | | | | |
| | | | | T= RGB-LED Tripple Colour | | | | | |



| | |
|--------------------------------|---------------|
| 19MM Anti-Vandal-Switch | |
| Part No.: | Q35012 |

| | | | | | | | | | | |
|-------|--------|------|--------|--------|--------|-----------|-----------|----------|------------|-----------|
| DRW: | Jason | CHKD | Wilson | MATL: | Wilson | TOLERANCE | Mason | DATE | 14.03.2017 | Customer: |
| APPD: | Schumi | | | FINISH | Jamy | | Sheet No. | 3 from 3 | | |