

EDCON-COMPONENTS



Specifications

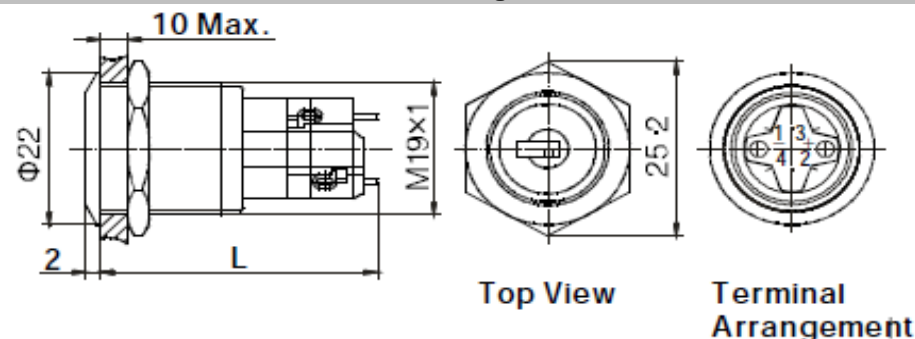
Switch Rating:	5A/250VAC
Contact Configuration:	1NO1NC / 2NO2NC
Operating Type:	Two Position Remain
IP-Degree:	IP40
Crust Material:	Stainless Steel
Terminal Type:	Solder Lug
Switching:	ON (Momentary)
Contact Resistance:	≤ 50mΩ
Insulation Resistance:	≥ 1000MΩ
Dielectric Strength:	2000VAC
Operating Temperature:	-20°C ~ +55°C
Mechanical Life:	500.000 cycles
Electrical Life:	50.000 cycles
Panel Thickness:	1 ~ 10mm
Torque:	5 ~ 14Nm

Operating Distance: 90° two position remain

Material

Contact:	Silver Alloy												
Button:	Zn-Al Alloy												
Body:	Stainless Steel												
Base:	Bakelite												
ROHS:	Made to Order-Code												
Type:	Illuminated (LED)												
Color:	<table border="0"> <tr> <td>R</td> <td>Y</td> <td>O</td> <td>G</td> <td>B</td> <td>W</td> </tr> <tr> <td>AC/DC 1,7V</td> <td></td> <td></td> <td>AC/DC 2,8V</td> <td></td> <td></td> </tr> </table>	R	Y	O	G	B	W	AC/DC 1,7V			AC/DC 2,8V		
R	Y	O	G	B	W								
AC/DC 1,7V			AC/DC 2,8V										
Rated Voltage:	AC/DC 1,7V												
Rated Current:	20mA												
Lifetime:	40000Hrs												

Drawing



Remark: 1NO1NC L=37
2NO2NC L=44.5

Current Limiting Resistance Configuration Table

Operating Voltage (U)	6V	12V	24V	36V
R Y O	210Ω, 1/4W	510Ω, 1/4W	1,2KΩ, 1/4W	2,2KΩ, 1/4W
G B W	160Ω, 1/4W	470Ω, 1/4W	1,2KΩ, 1/4W	2,2KΩ, 1/4W

Formula	
R=	$\frac{U - U_e}{I_e}$

19MM Anti-Vandal-Switch

Part No.: **Q35009**

DRW:	Jason	CHKD	Wilson	MATL:	Wilson	TOLERANCE	Mason	DATE	14.03.2016	Customer:
APPD:	Schumi			FINISH	Jamy		Sheet No.	1 from 3		



Visual Effect of Surface



Stainless steel (Spiral surface)

19MM Anti-Vandal-Switch	
Part No.:	Q35009
Customer:	

DRW:	Jason	CHKD	Wilson	MATL:	Wilson	TOLERANCE	Mason	DATE	14.03.2016
APPD:	Schumi			FINISH	Jamy		Sheet No.	2 from 3	

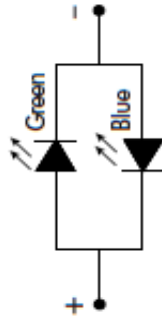
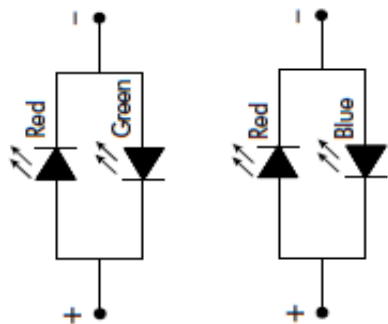
EDCON-COMPONENTS



Ordering Informations

Serie	Front Shape	Contact Structure	Lamp Type	Connect Type	Lamp Color	Lamp Voltage	Crust Material	Engraving Options	ROHS	Packing Style
Q35009	F	10	R	1	A	0	S	00	R	N

F= Flat	11= 1NO1NC 22= 2NO2NC	R= RING-Size		A= No Function R= Red G= Green Y= Yellow O= Orange B= Blue W= White P= Dual LED Red/Green Z= Dual LED Red/Blue	0= with 0R Resistor before LED 1= 6V AC/DC 2= 12V AC/DC 3= 24V AC/DC 4= 36V AC/DC X= can we make by order Y= Dual LED Green/Blue	S= Stainless Steel N= Nickel Plated Brass G= Gold Plated Brass	00= No function	R= ROHS Conform N= NON ROHS Conform	N= White Carton I= Individual Packing
----------------	--	---------------------	--	---	---	---	------------------------	--	--



19MM Anti-Vandal-Switch

Part No.: **Q35009**

DRW:	Jason	CHKD	Wilson	MATL:	Wilson	TOLERANCE	Mason	DATE	14.03.2016	Customer:
APPD:	Schumi			FINISH	Jamy		Sheet No.	3 from 3		

www.edcon-components.com

email: info@edcon-components.com