

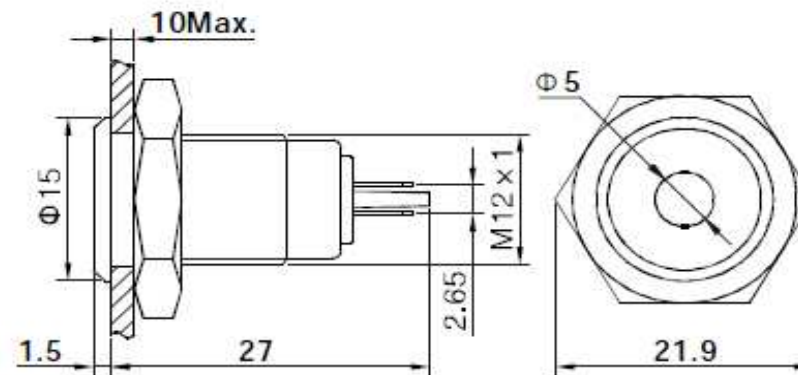
EDCON-COMPONENTS



Specifications

Voltage Range:	6V, 12V,24V
Rated Current:	15mA
Type:	LED
Lifetime LED:	40000Hrs
The Crust Material	Nickel Plated Brass
IP Degree:	IP67
Color of LED	R G Y O B W
Terminal Style:	Pin Terminal (1,8x0,4mm)
Dielectric Strength:	1100VAC
Operating Temperature:	. -20°C ~ +55°C
Panel Thickness:	1 ~ 10mm
Torque:	5-14Nm

Drawing



Material

Contact:	Silver Alloy
Lampshade:	PC
Body:	Nickel Plated Brass
Base:	PBT
ROHS:	Made to Order-Code

12MM Anti-Vandal-INDICATOR

Part No.: **Q35002**

DRW:	Jason	CHKD	Wilson	MATL:	Wilson	TOLERANCE	Mason	DATE	14.03.2016	Customer:
APPD:	Schumi			FINISH	Jamy		Sheet No.	1 from 2		

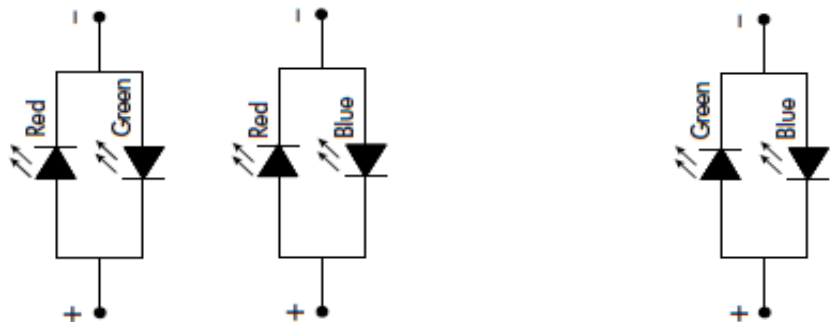
EDCON-COMPONENTS



Ordering Informations

Serie	Front Shape	Contact Structure	Lamp Type	Connect Type	Lamp Color	Lamp Voltage	Crust Material	ROHS	Packing Style
Q35002	F	00	N	1	A	0	N	R	N

F= Flat	00= No Function	N= no Function	1= Solder Lug	A= No Function	0= with 0R Resistor before LED	N= Nickel Plated Brass	R= ROHS Conform	N= White Carton
				R= Red			N= NON ROHS Conform	I= Individual Packing
				G= Green	1= 6V AC/DC			
				Y= Yellow	2= 12V AC/DC			
				O= Orange	3= 24V AC/DC			
				B= Blue	4= 36V AC/DC			
				W= White	X= can we make by order			
				P= Dual LED Red/Green	Y= Dual LED Green/Blue			
				Z= Dual LED Red/Blue				



12MM Anti-Vandal-INDICATOR

Part No.: **Q35002**

DRW:	Jason	CHKD	Wilson	MATL:	Wilson	TOLERANCE	Mason	DATE	14.03.2016
APPD:	Schumi			FINISH	Jamy		Sheet No.		2 from 2

Customer: