

EDCON-COMPONENTS

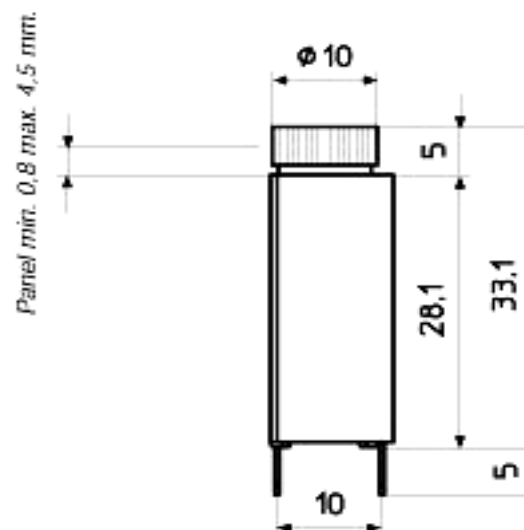


Technical Discription

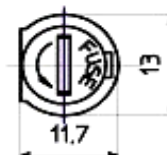
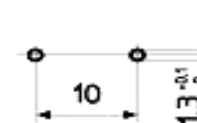
Drawing

EDCON-COMPONENTS Fuse Holders features for easy removal, clearly printed / imprinted "FUSE" for easy panel identification and keyed mounting hole requirement for anti rotation safety. All fuse holders include mounting washer and solder lugs for wiring.

Rated Current	6,3A / 250VAC
Insulation Resistance at 500VDC	100MΩ Min.
Contact Resistance	5mΩ @ 1A DC
Dielectric Strength for 60seconds	AC1500V Min.
Material:	Brass
Material Plating:	Silver Plated
Body:	ABS/ PC



PCB Mounting



Approvals

CSA UL CE VDE

PCB Fuse Holder for 5,2x20mm

Part No.: **R53037**

Customer:

DRW:	Jason	CHKD	Wilson	MATL:	Wilson	TOLERANCE	Mason	DATE	29.11.2012
APPD:	Schumi			FINISH	Jamy		Sheet No.	1 from 3	

www.edcon-components.com

email: info@edcon-components.com

EDCON-COMPONENTS



Ordering Informations

Serie	Range	Special function	ROHS	Packing						
-------	-------	------------------	------	---------	--	--	--	--	--	--

R53037	A	N	R	BU						
---------------	----------	----------	----------	-----------	--	--	--	--	--	--

A= 6A	N= No function	R= ROHS Conform	BU= Bulk-Ware
			IV= Individual Package

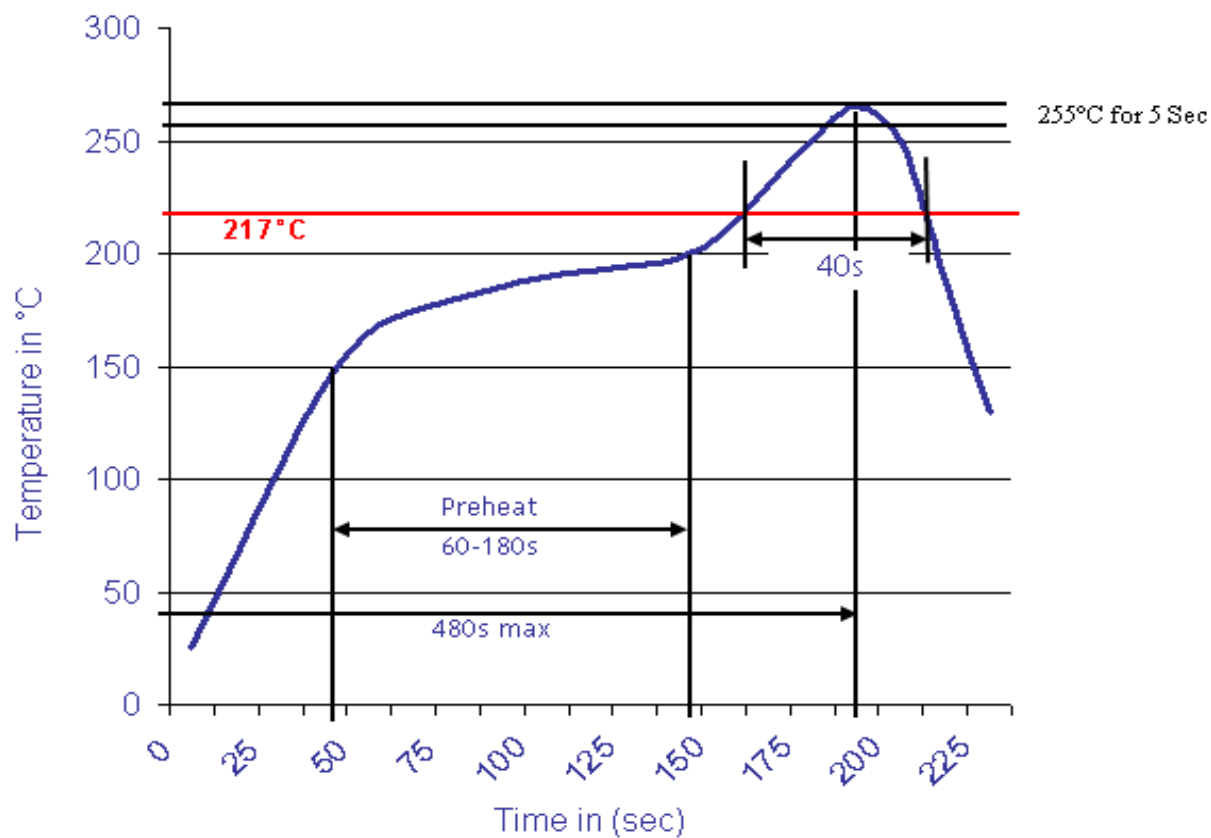
PCB Fuse Holder for 5,2x20mm
Part No.: R53037
Customer:

DRW:	Jason	CHKD	Wilson	MATL:	Wilson	TOLERANCE	Mason	DATE	29.11.2012
APPD:	Schumi			FINISH	Jamy		Sheet No.	2 from 3	



Soldering Profile Curve

Classification Reflow Profile (JEDEC J-STD-020C)



PCB Fuse Holder for 5,2x20mm	
Part No.:	R53037
Customer:	

DRW:	Jason	CHKD	Wilson	MATL:	Wilson	TOLERANCE	Mason	DATE	29.11.2012
APPD:	Schumi			FINISH	Jamy		Sheet No.	3 from 3	