

# EDCON-COMPONENTS

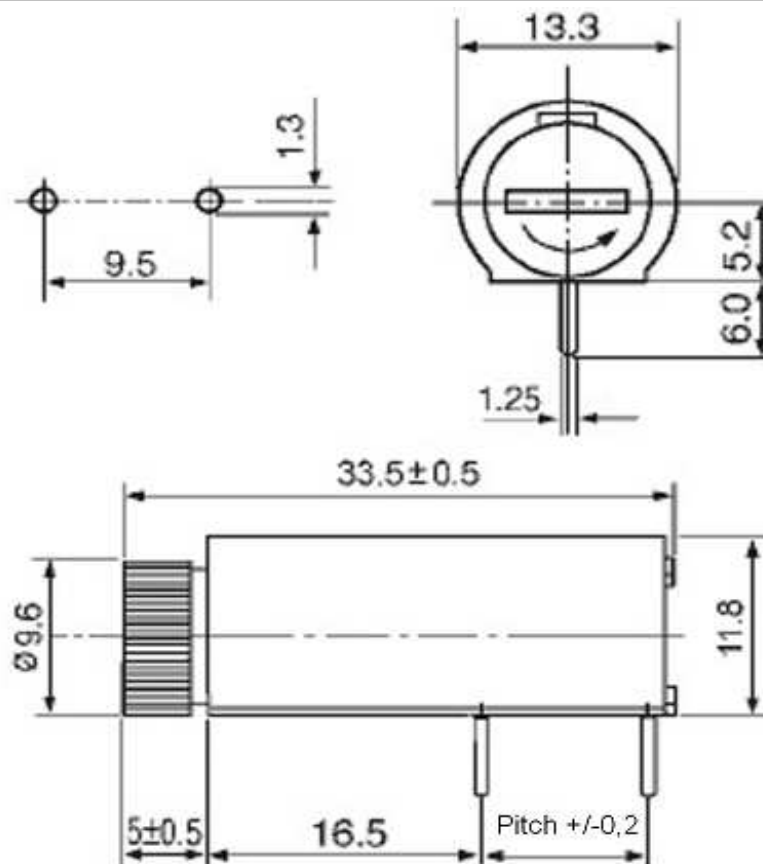


## Technical Discription

## Drawing

EDCON-COMPONENTS Fuse Holders features for easy removal, clearly printed / imprinted "FUSE" for easy panel identification and keyed mounting hole requirement for anti rotation safety. All fuse holders include mounting washer and solder lugs for wiring.

|                                   |               |
|-----------------------------------|---------------|
| Rated Current                     | 6,3A / 250VAC |
| Insulation Resistance at 500VDC   | 100MΩ Min.    |
| Contact Resistance                | 5mΩ @ 1A DC   |
| Dielectric Strength for 60seconds | AC1500V Min.  |
| Material:                         | Brass         |
| Material Plating:                 | Silver Plated |
| Body:                             | ABS/ PC       |



### Approvals

CE

**PCB Fuse Holder for  
5,2x20mm**

Part No.: **R53004**

Customer:

|       |        |      |        |        |        |           |           |          |            |
|-------|--------|------|--------|--------|--------|-----------|-----------|----------|------------|
| DRW:  | Jason  | CHKD | Wilson | MATL:  | Wilson | TOLERANCE | Mason     | DATE     | 31.05.2014 |
| APPD: | Schumi |      |        | FINISH | Jamy   |           | Sheet No. | 1 from 3 |            |

# EDCON-COMPONENTS



## Ordering Informations

| Serie | Range | Pitch | ROHS | Packing |  |  |  |  |  |  |
|-------|-------|-------|------|---------|--|--|--|--|--|--|
|-------|-------|-------|------|---------|--|--|--|--|--|--|

|               |   |          |          |          |           |  |  |  |  |  |
|---------------|---|----------|----------|----------|-----------|--|--|--|--|--|
| <b>R53004</b> | - | <b>A</b> | <b>A</b> | <b>R</b> | <b>BU</b> |  |  |  |  |  |
|---------------|---|----------|----------|----------|-----------|--|--|--|--|--|

|              |                        |                        |                               |
|--------------|------------------------|------------------------|-------------------------------|
| <b>A= 6A</b> |                        | <b>R= ROHS Conform</b> | <b>BU= Bulk-Ware</b>          |
|              | <b>A= Pitch 10,0mm</b> |                        | <b>IV= Individual Package</b> |
|              | <b>B= Pitch 12,5mm</b> |                        |                               |

|                                     |               |
|-------------------------------------|---------------|
| <b>PCB Fuse Holder for 5,2x20mm</b> |               |
| Part No.:                           | <b>R53004</b> |
| Customer:                           |               |

|       |        |      |        |        |        |           |           |          |            |
|-------|--------|------|--------|--------|--------|-----------|-----------|----------|------------|
| DRW:  | Jason  | CHKD | Wilson | MATL:  | Wilson | TOLERANCE | Mason     | DATE     | 31.05.2014 |
| APPD: | Schumi |      |        | FINISH | Jamy   |           | Sheet No. | 2 from 3 |            |



Soldering Profile Curve

Classification Reflow Profile (JEDEC J-STD-020C)



|   |               |
|---|---------------|
| <b>PCB Fuse Holder for<br/>5,2x20mm</b> |               |
| Part No.:                               | <b>R53004</b> |
| Customer:                               |               |

|       |        |      |        |        |        |           |           |          |            |
|-------|--------|------|--------|--------|--------|-----------|-----------|----------|------------|
| DRW:  | Jason  | CHKD | Wilson | MATL:  | Wilson | TOLERANCE | Mason     | DATE     | 31.05.2014 |
| APPD: | Schumi |      |        | FINISH | Jamy   |           | Sheet No. | 3 from 3 |            |