

Technical Specification

Electrical Characteristics

Standard Resistance Range: 10Ω to 2,0MΩ
 Look Standard resistance table
 Standard Resistance Tolerance: 20% / 10%
 Absolute Minimum Resistance: 1% or 2 Ohms max. whichever is greater
 Contact Resistance Variation: 3% or 3Ohms max. whichever is greater
 Resolution: Essentially Infinite
 Insulation Resistance: 1000MΩ min.
 Dielectric Strength: 101,3KPa 500VAC 8,5KPa 200Vac
 Effective Travel: 210° nom.

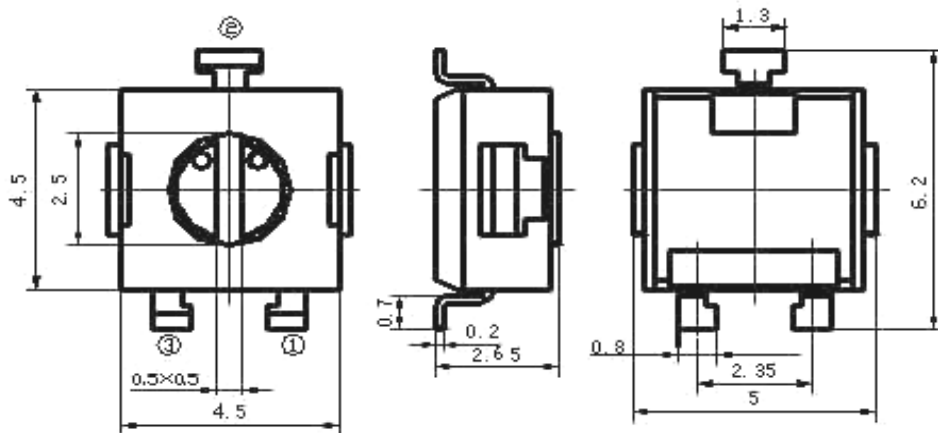
Environmental Characteristics

Power Rating: (200Volts max.)
 0,25Watt/ 70°C / 0Watt / 125°C
 Temperature Range: -55°C ~ +125°C
 Temperature Coefficient: +/-100ppm/°C / +/-200ppm/°C
 Vibration: 98m/s² (1%Δ TR;1%Δ VR)
 Shock 490m/s² (1%Δ TR;1%Δ VR)
 Load Life: 1000hrs 0,25W @ 70°C (3% Δ TR; 3% or 3 Ohms).
 Rotational Life: 200cycles (3% Δ TR; 3% or 3 Ohms). whichever is greater, CRV
 Thermal Shock: 5cycles (2% Δ TR; 1% Δ VR).

Physical Characteristics

Mechanical Angles: 270° nom.
 Torque: 10nM * m. max.
 Stop strength: 25nM m. min
 Wiper: Set at 50% nominal

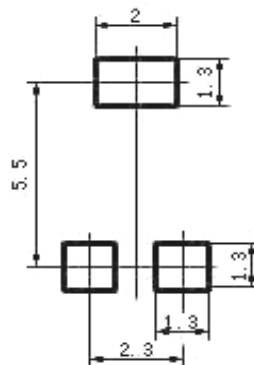
Technical Dimensions



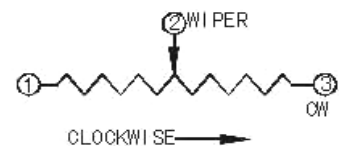
Resistance table

Value (Ω)	Code	Value (Ω)	Code
10	100	200000	205
20	200	250000	254
50	500	500000	504
100	101	1000000	105
200	201	2000000	205
500	501		
1000	102		
2000	202		
5000	502		
10000	103		
20000	203		
50000	503		
100000	104		

PCB Layout



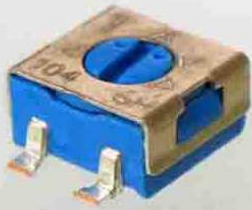
Physical Structure



SMT Single-Turn Resistor

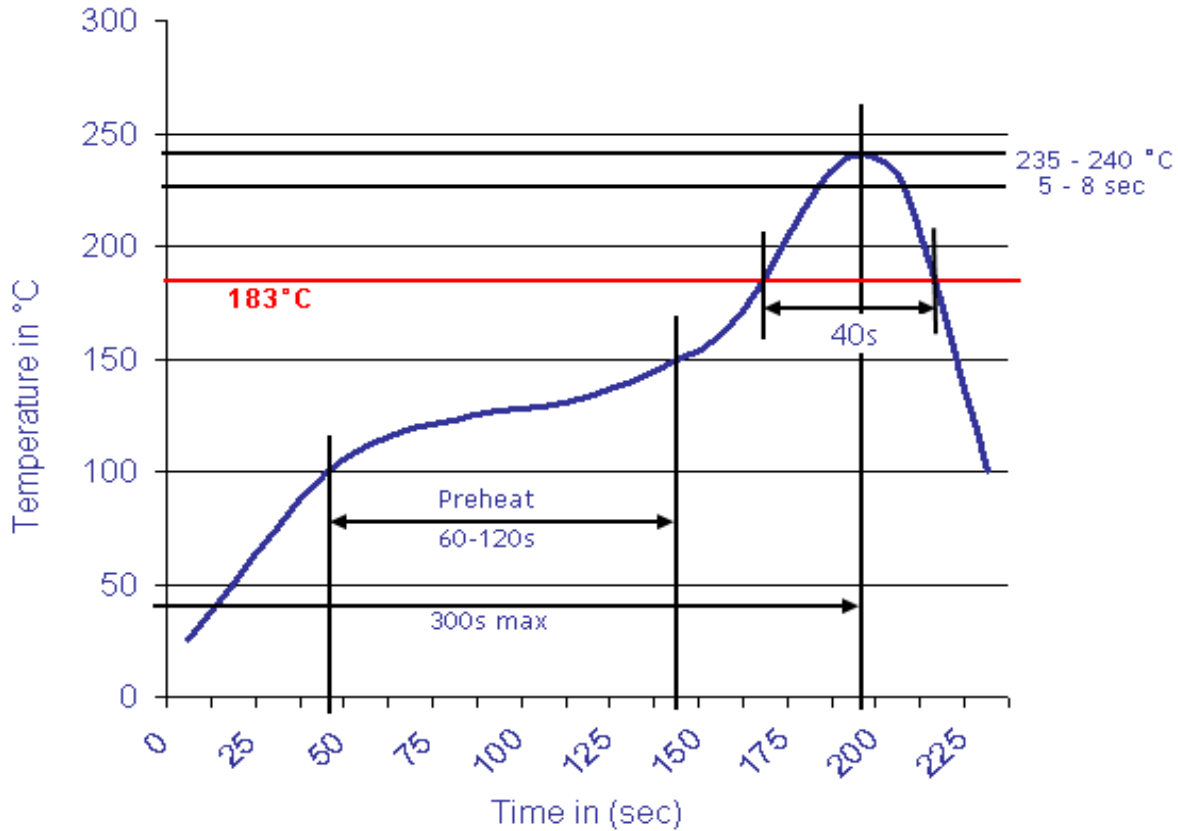
Serie No.: **X64002**
 Customer:

DRW:	Jason	CHKD	Jules	MATL:	Wu	DATE	25.07.2014
APPD:	Join			FINISH	Shieh	Sheet	1 from 2



Soldering Profile

Classification Reflow Profile (JEDEC J-STD-020C)



Ordering Information

Serie	Range	Tolerance	ROHS	Packing		
-------	-------	-----------	------	---------	--	--

X64002	100	M	R	TR		
---------------	------------	----------	----------	-----------	--	--

100= 10Ω	M= Tol. 20%	R= ROHS conform	TR= Tape Reel
Range Code look Resistance table	K= Tol. 10%	N= NON ROHS conform	TU= Tube

SMT Single-Turn Resistor	
Serie No.:	X64002
Customer:	

DRW:	Jason	CHKD	Jules	MATL:	Wu	DATE	25.07.2014
APPD:	Join			FINISH	Shieh	Sheet	2 from 2