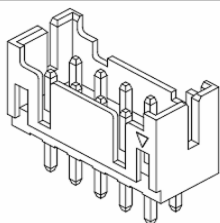


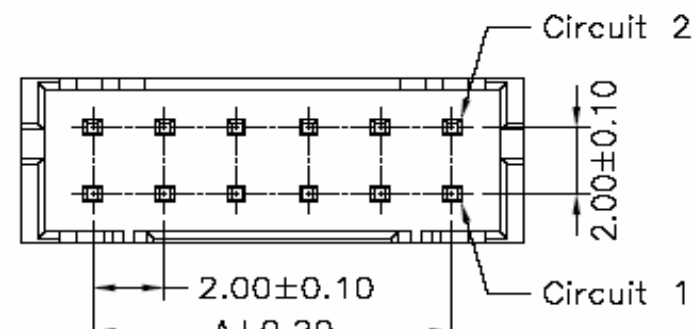
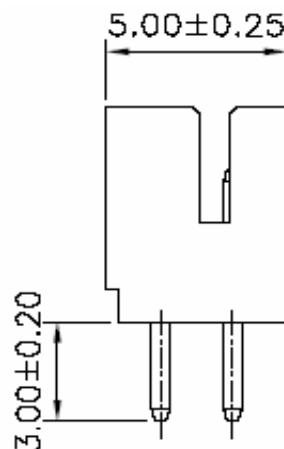
EDCON-COMPONENTS



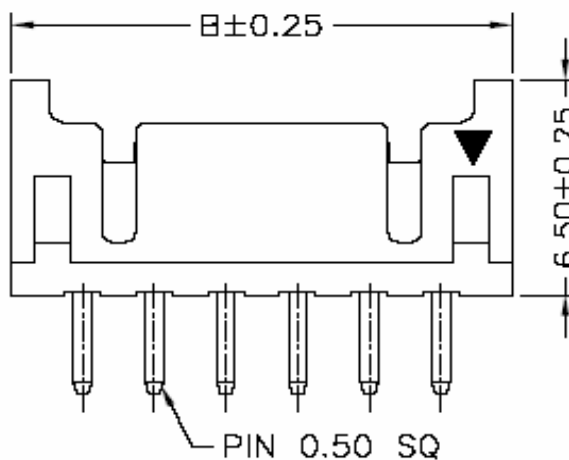
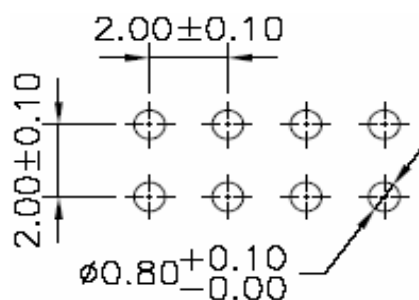
Specifications

Voltage Rating:	250 V AC/DC
Current Rating:	2A AC/DC
Operating Temperature:	-25°C to + 85°C
Contact Resistance:	30 mΩ
Withstanding Voltage:	800 V AC/Minute
Insulation Resistance:	1000MΩ min.
Material Housing:	Nylon 66 / UL94V-0
Pin-Material:	Brass / Tin Plated
Color of Base:	Black

Drawing (dimensions all into mm)



P.C.B. Layout



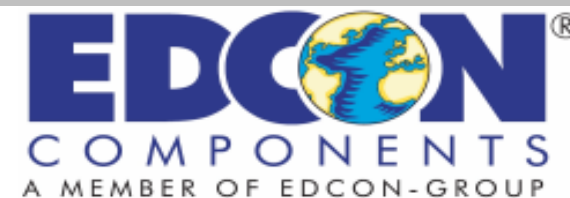
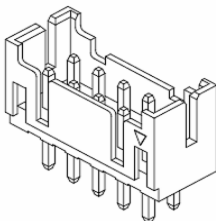
Wafer Serie T68Txxxx Pitch
2,00mm

Part No.: **T68T060**

Customer:

DRW:	Jason	CHKD	Wilson	MATL:	Wilson	TOLERANCE	Mason	DATE	02.04.2009
APPD:	Schumi			FINISH	Jamy		Sheet No.	1 from 4	

EDCON-COMPONENTS



Dimension Information about Housing

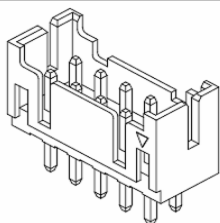
Pos.	Dimension (mm)					
	A	B	C	D	E	F
04 (2x02)	2,00	6,00				
06 (2x03)	4,00	8,00				
08 (2x04)	6,00	10,00				
10 (2x05)	8,00	12,00				
12 (2x06)	10,00	14,00				
14 (2x07)	12,00	16,00				
16 (2x08)	14,00	18,00				
18 (2x09)	16,00	20,00				
20 (2x10)	18,00	22,00				
22 (2x11)	20,00	24,00				
24 (2x12)	22,00	26,00				
26 (2x13)	24,00	28,00				
28 (2x14)	26,00	30,00				
30 (2x15)	28,00	32,00				
32 (2x16)	30,00	34,00				
34 (2x17)	32,00	36,00				
36 (2x18)	34,00	38,00				
38 (2x19)	36,00	40,00				
40 (2x20)	38,00	42,00				

Pos.	Dimension (mm)					
	A	B	C	D	E	F

Wafer Serie T68Txxxx Pitch 2,00mm	
Part No.:	T68T060
Customer:	

DRW:	Jason	CHKD	Wilson	MATL:	Wilson	TOLERANCE	Mason	DATE	02.04.2009
APPD:	Schumi			FINISH	Jamy		Sheet No.		2 from 4

EDCON-COMPONENTS



Ordering Informations

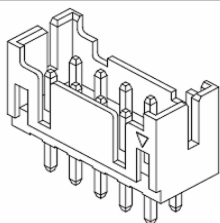
Serie	Number of Pos.	Body Material	Color of Body	Packing						
-------	----------------	---------------	---------------	---------	--	--	--	--	--	--

T68T060	02	66	BG	TR						
----------------	-----------	-----------	-----------	-----------	--	--	--	--	--	--

xx = Pos.	66= Nylon 66	BG= Beige	TR= Tape / Reel Packing							

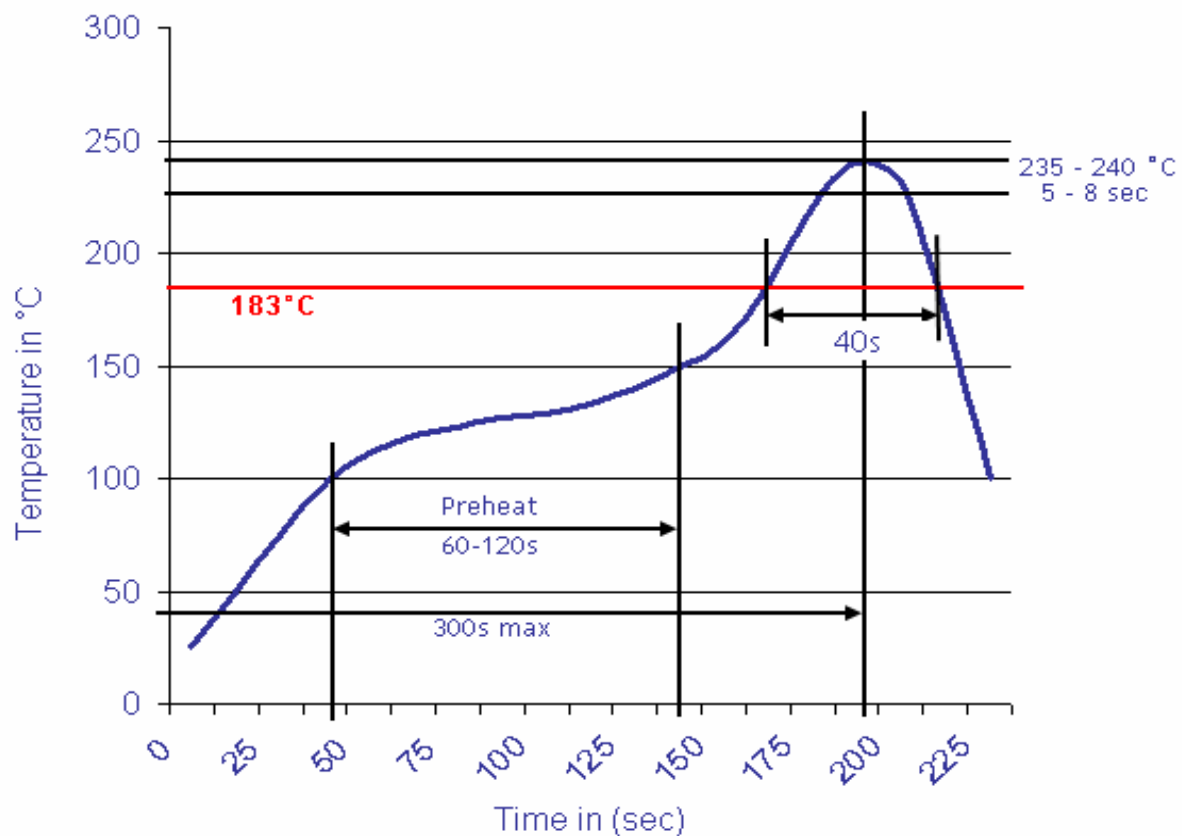
Wafer Serie T68Txxxx Pitch 2,00mm
Part No.: T68T060
Customer:

DRW:	Jason	CHKD	Wilson	MATL:	Wilson	TOLERANCE	Mason	DATE	02.04.2009
APPD:	Schumi			FINISH	Jamy		Sheet No.		3 from 4



Soldering Profile Curve

Classification Reflow Profile (JEDEC J-STD-020C)



Wafer Serie T68Txxxx Pitch
2,00mm

Part No.: **T68T060**

DRW:	Jason	CHKD	Wilson	MATL:	Wilson	TOLERANCE	Mason	DATE	02.04.2009	Customer:
APPD:	Schumi			FINISH	Jamy		Sheet No.	4 from 4		