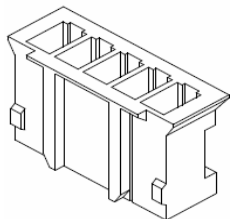


# EDCON-COMPONENTS

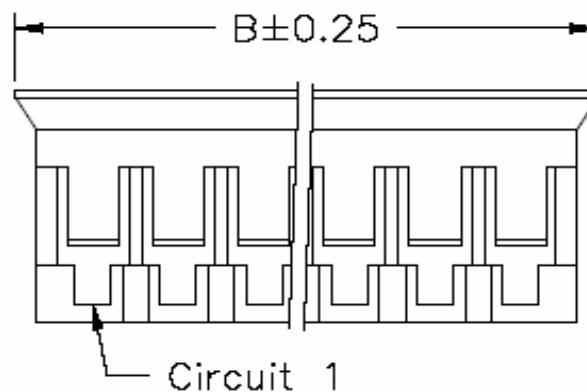
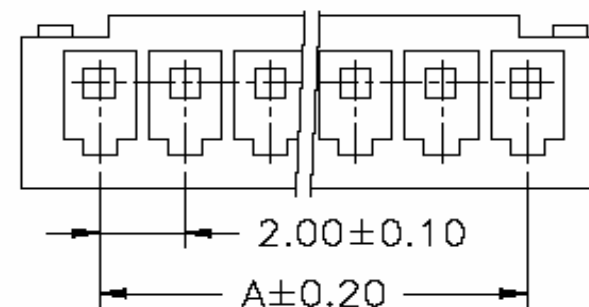
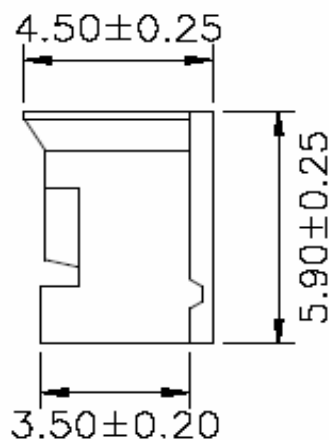


## Specifications

Voltage Rating:	300 V AC/DC
Current Rating:	3A AC/DC
Operating Temperature:	-25°C to + 85°C
Contact Resistance:	20 mΩ
Withstanding Voltage:	1000 V AC/Minute
Insulation Resistance:	1000MΩ min.
Material Housing:	Nylon 66 / UL94V-0
Pantone Color:	153C ~ 154C



## Drawing ( dimensions all into mm)



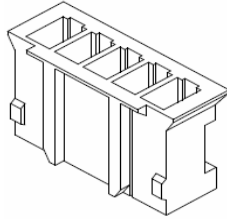
Housing Serie T68Txxxx Pitch  
2,00mm

Part No.: **T68T058**

Customer:

DRW:	Jason	CHKD	Wilson	MATL:	Wilson	TOLERANCE	Mason	DATE	02.04.2009
APPD:	Schumi			FINISH	Jamy		Sheet No.	1 from 3	

# EDCON-COMPONENTS



## Dimension Information about Housing

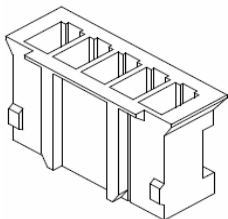
Pos.	Dimension (mm)					
	A	B	C	D	E	F
2	2,00	5,60				
3	4,00	7,60				
4	6,00	9,60				
5	8,00	11,60				
6	10,00	13,60				
7	12,00	15,60				
8	14,00	17,60				
9	16,00	19,60				
10	18,00	21,60				
11	20,00	23,60				
12	22,00	25,60				
13	24,00	27,60				
14	26,00	29,60				
15	28,00	31,60				

Pos.	Dimension (mm)					
	A	B	C	D	E	F

Housing Serie T68Txxxx Pitch 2,00mm	
Part No.:	<b>T68T058</b>
Customer:	

DRW:	Jason	CHKD:	Wilson	MATL:	Wilson	TOLERANCE:	Mason	DATE:	02.04.2009
APPD:	Schumi			FINISH:	Jamy			Sheet No.:	2 from 3

# EDCON-COMPONENTS



## Ordering Informations

Serie	Number of Pos.	Color of Body	Packing							
-------	----------------	---------------	---------	--	--	--	--	--	--	--

<b>T68T058</b>	<b>02</b>	<b>BN</b>	<b>BU</b>							
----------------	-----------	-----------	-----------	--	--	--	--	--	--	--

<b>xx = Pos.</b>	<b>BN= Brown</b>	<b>BU= Bulk Packing</b>								

Housing Serie T68Txxxx Pitch 2,00mm
Part No.: <b>T68T058</b>
Customer:

DRW:	Jason	CHKD	Wilson	MATL:	Wilson	TOLERANCE	Mason	DATE	02.04.2009
APPD:	Schumi			FINISH	Jamy			Sheet No.	3 from 3

[www.edcon-components.com](http://www.edcon-components.com)

email: [info@edcon-components.com](mailto:info@edcon-components.com)