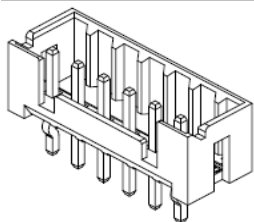


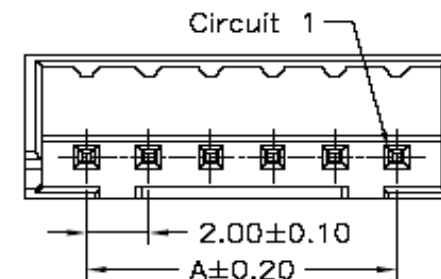
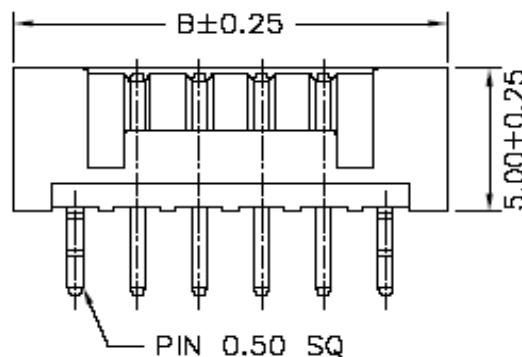
EDCON-COMPONENTS



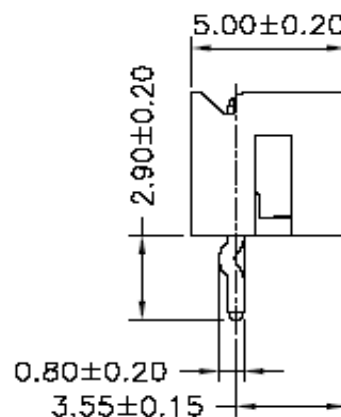
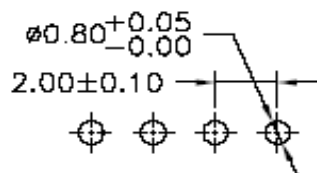
Specifications

Voltage Rating:	250 V AC/DC
Current Rating:	3A AC/DC
Operating Temperature:	-25°C to +85°C
Contact Resistance:	30 mΩ
Withstanding Voltage:	650 V AC/Minute
Insulation Resistance:	1000MΩ min.
Material Housing:	Nylon 6T / UL94V-0
Color of Base:	Natural (Black)
Pin-Material:	Brass / Gold Flash plated

Drawing (dimensions all into mm)



P.C.B. Layout



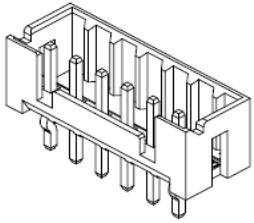
Wafer Serie T68Txxxx Pitch
2,00mm

Part No.: **T68T036**

Customer:

DRW:	Jason	CHKD	Wilson	MATL:	Wilson	TOLERANCE	Mason	DATE	02.04.2009
APPD:	Schumi			FINISH	Jamy		Sheet No.	1 from 4	

EDCON-COMPONENTS



Dimension Information about Housing

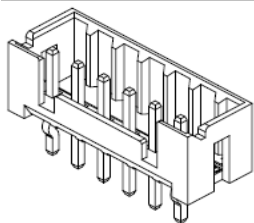
Pos.	Dimension (mm)					
	A	B	C	D	E	F
2	2,00	6,00				
3	4,00	8,00				
4	6,00	10,00				
5	8,00	12,00				
6	10,00	14,00				
7	12,00	16,00				
8	14,00	18,00				
9	16,00	20,00				
10	18,00	22,00				
11	20,00	24,00				
12	22,00	26,00				
13	24,00	28,00				
14	26,00	30,00				
15	28,00	32,00				

Pos.	Dimension (mm)					
	A	B	C	D	E	F

Wafer Serie T68Txxxx Pitch 2,00mm
Part No.: T68T036
Customer:

DRW: Jason	CHKD: Wilson	MATL: Wilson	TOLERANCE: Mason	DATE: 02.04.2009
APPD: Schumi		FINISH: Jamy	Sheet No.	2 from 4

EDCON-COMPONENTS



Ordering Informations

Serie	Number of Pos.	Leg Function	Color of Body	Packing						
-------	----------------	--------------	---------------	---------	--	--	--	--	--	--

T68T036	02	K	BK	BU						
----------------	-----------	----------	-----------	-----------	--	--	--	--	--	--

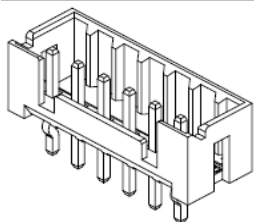
xx = Pos.	K= with King	BK= Black	BU= Bulk Ware						

Wafer Serie T68Txxxx Pitch 2,00mm
Part No.: T68T036
Customer:

DRW:	Jason	CHKD	Wilson	MATL:	Wilson	TOLERANCE	Mason	DATE	02.04.2009
APPD:	Schumi			FINISH	Jamy		Sheet No.		3 from 4

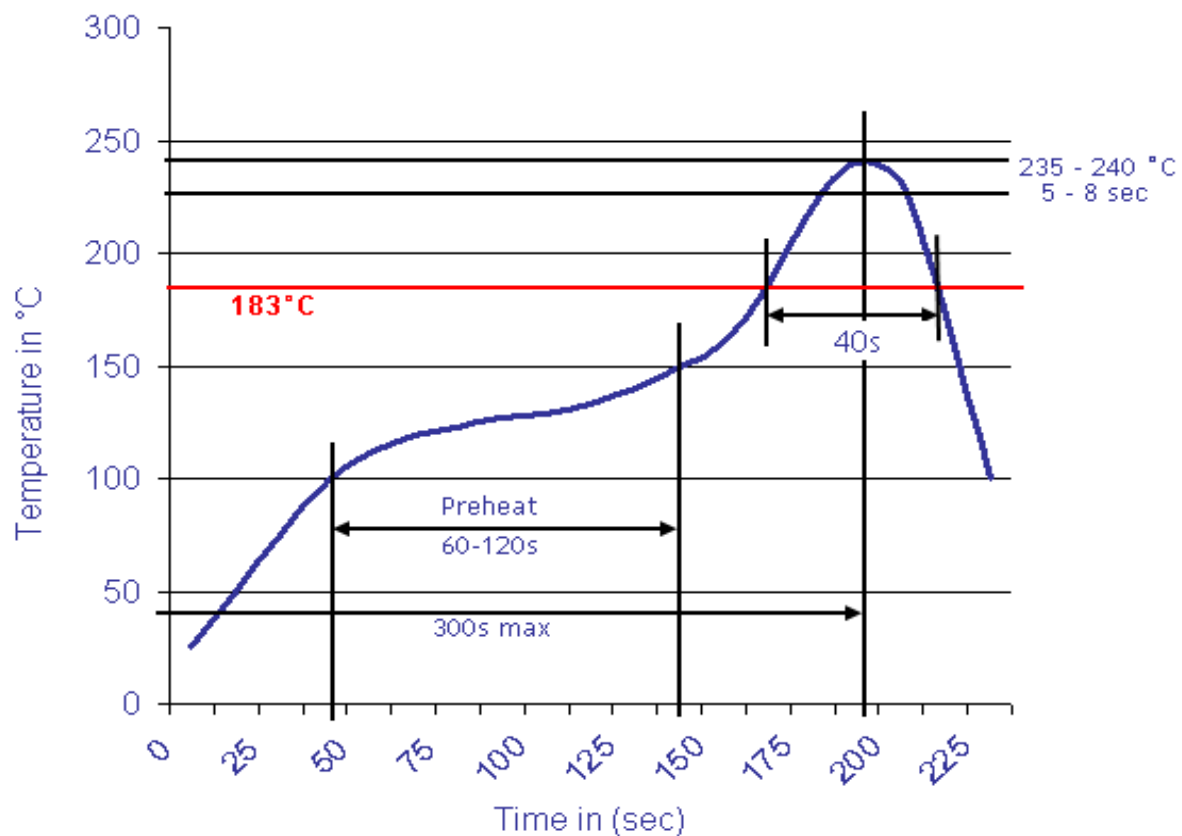
www.edcon-components.com

email: info@edcon-components.com



Soldering Profile Curve

Classification Reflow Profile (JEDEC J-STD-020C)



Wafer Serie T68Txxxx Pitch
2,00mm

Part No.: **T68T036**

DRW:	Jason	CHKD	Wilson	MATL:	Wilson	TOLERANCE	Mason	DATE	02.04.2009
APPD:	Schumi			FINISH	Jamy		Sheet No.	4 from 4	Customer: