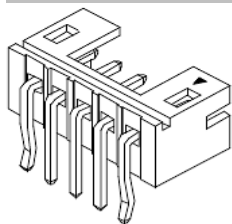


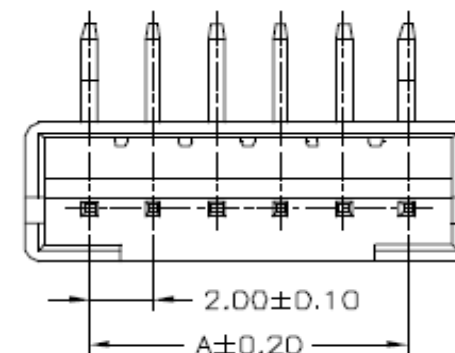
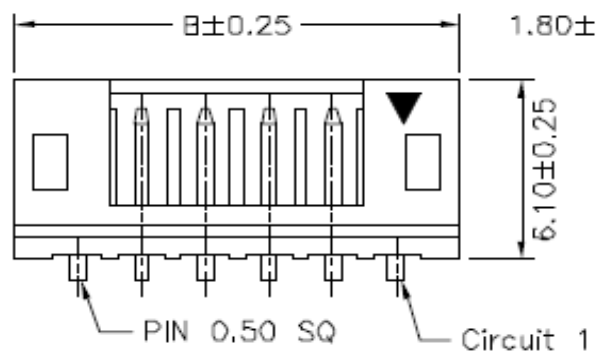
EDCON-COMPONENTS



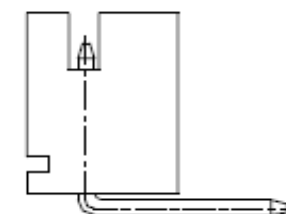
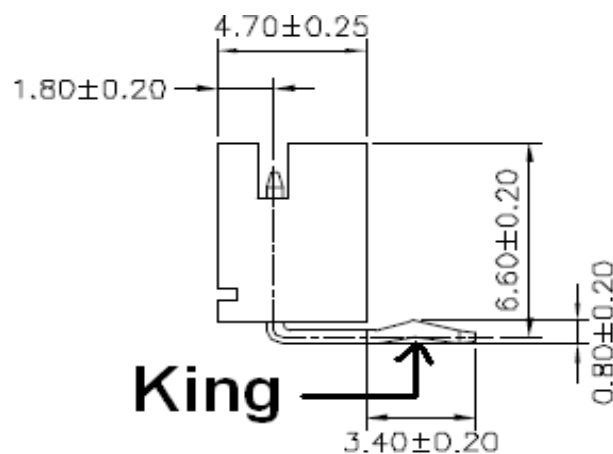
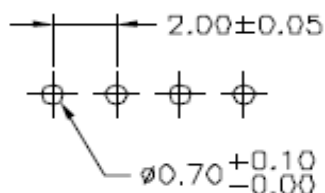
Specifications

Voltage Rating:	100 V AC/DC
Current Rating:	2A AC/DC
Operating Temperature:	-25°C to + 85°C
Contact Resistance:	10 mΩ
Withstanding Voltage:	500 V AC/Minute
Insulation Resistance:	1000MΩ min.
Material Housing:	Nylon 6T / UL94V-0
Color:	Natural (White)
Pin-Material:	Brass /Tin-plated

Drawing (dimensions all into mm)



P.C.B. Layout



Wafer Serie T68Txxxx Pitch
2,00mm

Part No.: **T68T020**

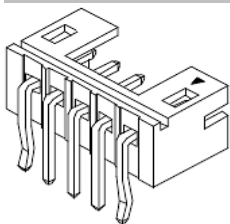
Customer:

DRW:	Jason	CHKD	Wilson	MATL:	Wilson	TOLERANCE	Mason	DATE	02.04.2009
APPD:	Schumi			FINISH	Jamy		Sheet No.		1 from 4

www.edcon-components.com

email: info@edcon-components.com

EDCON-COMPONENTS



Ordering Informations

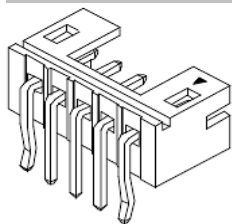
Serie	Number of Pos.	Leg Function	Color of Body	Packing					
-------	----------------	--------------	---------------	---------	--	--	--	--	--

T68T020	02	N	WH	BU					
----------------	-----------	----------	-----------	-----------	--	--	--	--	--

xx = Pos.	N= without Kink	WH= White	BU= Bulk Ware						
	K= with Kink		TR= Tape / Reel Packing						

Wafer Serie T68Txxxx Pitch 2,00mm
Part No.: T68T020
Customer:

DRW:	Jason	CHKD	Wilson	MATL:	Wilson	TOLERANCE	Mason	DATE	02.04.2009
APPD:	Schumi			FINISH	Jamy		Sheet No.		3 from 4



Soldering Profile Curve

Classification Reflow Profile (JEDEC J-STD-020C)



Wafer Serie T68Txxxx Pitch
2,00mm

Part No.: **T68T020**

DRW:	Jason	CHKD	Wilson	MATL:	Wilson	TOLERANCE	Mason	DATE	02.04.2009	Customer:
APPD:	Schumi			FINISH	Jamy		Sheet No.	4 from 4		