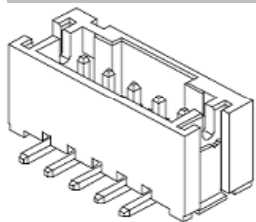


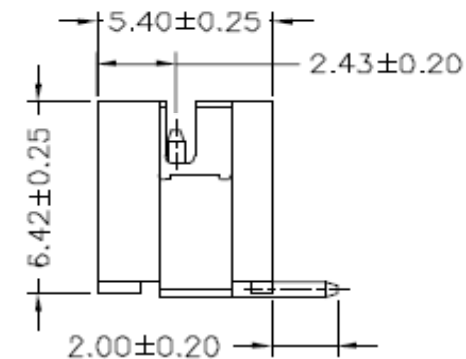
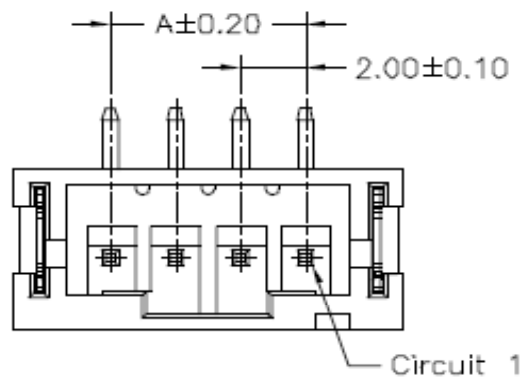
EDCON-COMPONENTS



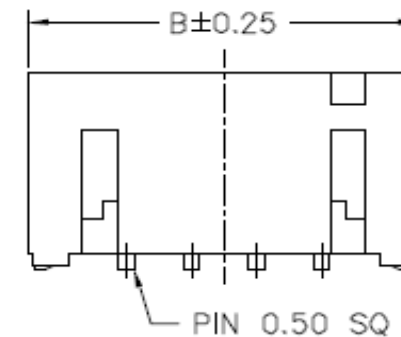
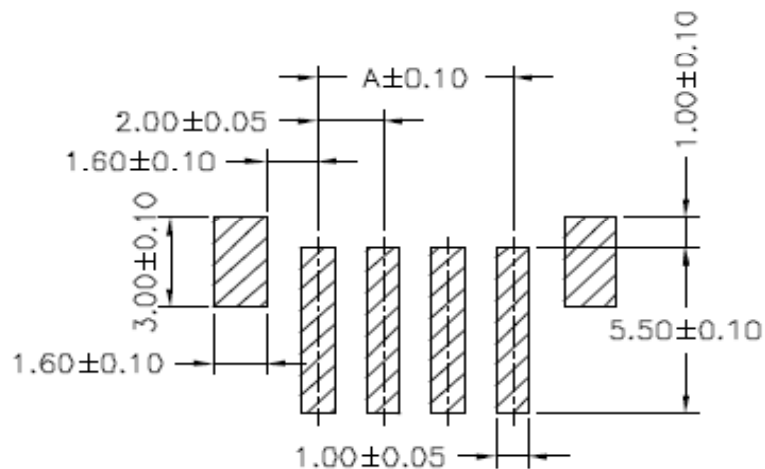
Specifications

Voltage Rating:	100 V AC/DC
Current Rating:	2A AC/DC
Operating Temperature:	-25°C to + 85°C
Contact Resistance:	10 mΩ
Withstanding Voltage:	500 V AC/Minute
Insulation Resistance:	1000MΩ min.
Material Housing:	Nylon 6T / UL94V-0
Color:	Natural (White)
Pin-Material:	Brass /Tin-plated

Drawing (dimensions all into mm)



P.C.B. Layout



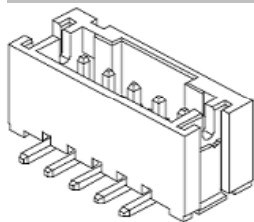
SMT Wafer Serie T68T019 Pitch
2,00mm

Part No.: **T68T019**

Customer:

DRW:	Jason	CHKD	Wilson	MATL:	Wilson	TOLERANCE	Mason	DATE	14.12.2021
APPD:	Schumi			FINISH	Jamy		Sheet No.	1 from 4	

EDCON-COMPONENTS



Ordering Informations

Serie	Number of Pos.	Color of Body	Packing	Contact Plating					
-------	----------------	---------------	---------	-----------------	--	--	--	--	--

T68T019	02	WH	BU						
----------------	-----------	-----------	-----------	--	--	--	--	--	--

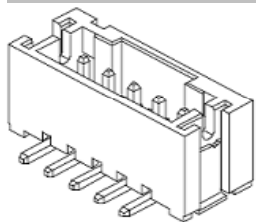
xx = Pos.	WH= White	BU= Bulk Ware	Standard tinned						
		TR= Tape / Reel Packing	GF= Gold flash						

SMT Wafer Serie T68T019 Pitch 2,00mm

Part No.: **T68T019**

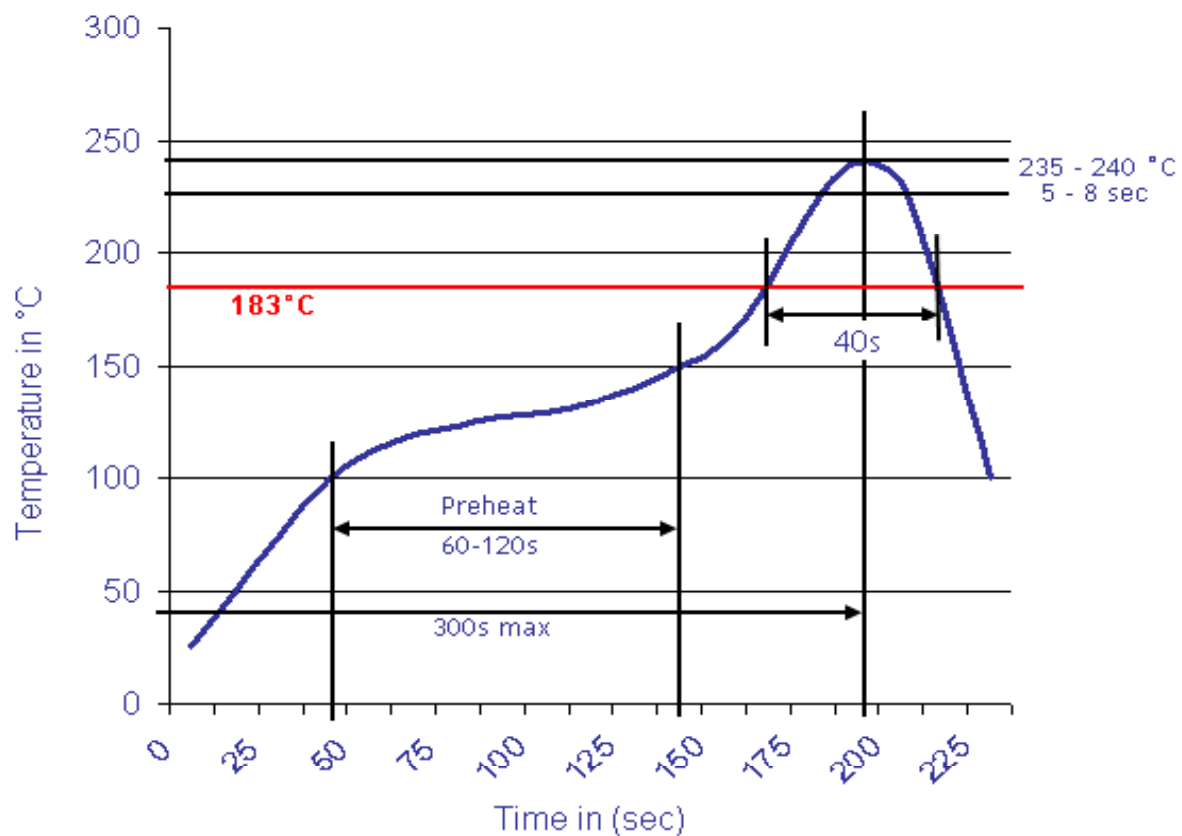
DRW:	Jason	CHKD	Wilson	MATL:	Wilson	TOLERANCE	Mason	DATE	14.12.2021
APPD:	Schumi			FINISH	Jamy		Sheet No.		3 from 4

Customer:



Soldering Profile Curve

Classification Reflow Profile (JEDEC J-STD-020C)



SMT Wafer Serie T68T019 Pitch
2,00mm

Part No.: **T68T019**

DRW:	Jason	CHKD	Wilson	MATL:	Wilson	TOLERANCE	Mason	DATE	14.12.2021	Customer:
APPD:	Schumi			FINISH	Jamy		Sheet No.	4 from 4		