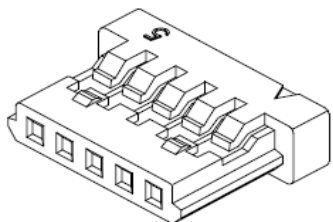


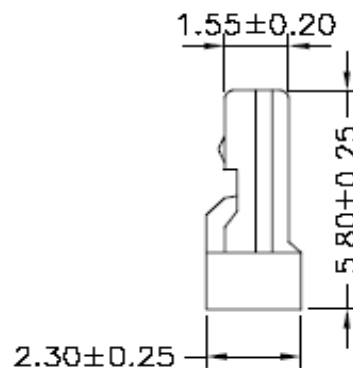
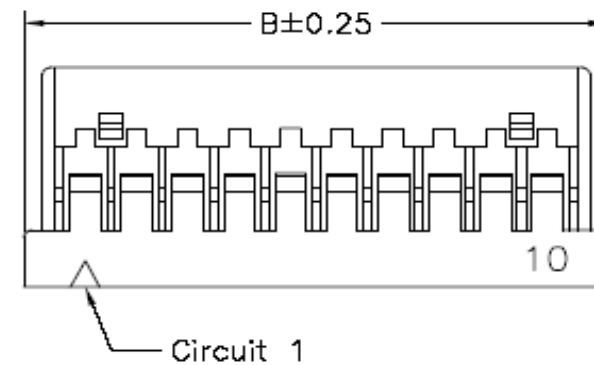
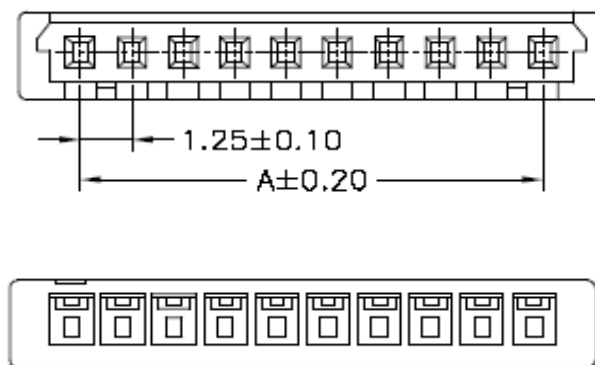
EDCON-COMPONENTS



Specifications

Voltage Rating:	150 V AC/DC
Current Rating:	1A AC/DC
Operating Temperature:	-25°C to + 85°C
Contact Resistance:	30 mΩ
Withstanding Voltage:	500 V AC/Minute
Insulation Resistance:	500MΩ min.
Material Housing:	Nylon 66 / UL94V-0

Drawing (dimensions all into mm)



Housing Serie T68Sxxxx Pitch
1,25mm

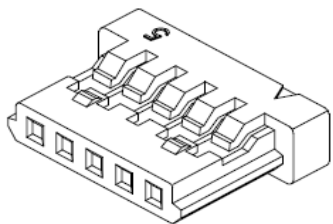
Part No.: **T68S300**

DRW:	Jason	CHKD	Wilson	MATL:	Wilson	TOLERANCE	Mason	DATE	02.04.2009
APPD:	Schumi			FINISH	Jamy		Sheet No.	1 from 3	Customer:

www.edcon-components.com

email: info@edcon-components.com

EDCON-COMPONENTS



Ordering Informations

Serie	Number of Pos.	Look	Packing							
T68S300	02	N	BU							
xx = Pos.	N= Without Look	BU= Bulk Packing								

Housing Serie T68Sxxxx Pitch 1,25mm
Part No.: T68S300
Customer:

DRW:	Jason	CHKD	Wilson	MATL:	Wilson	TOLERANCE	Mason	DATE	02.04.2009
APPD:	Schumi			FINISH	Jamy		Sheet No.	3 from 3	

www.edcon-components.com

email: info@edcon-components.com