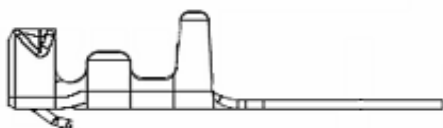


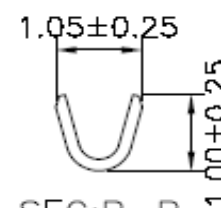
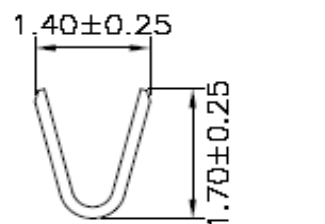
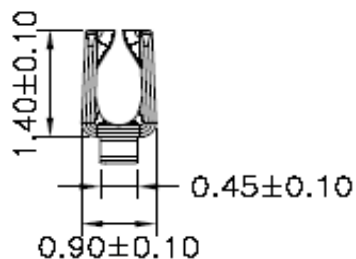
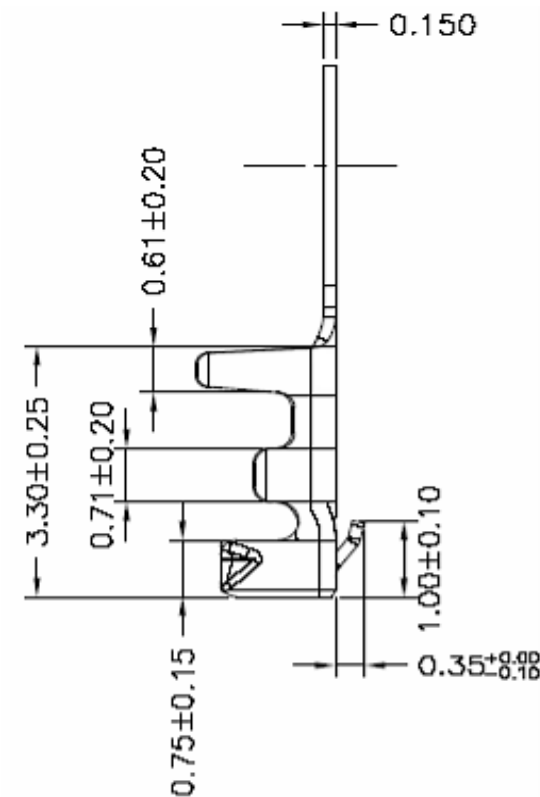
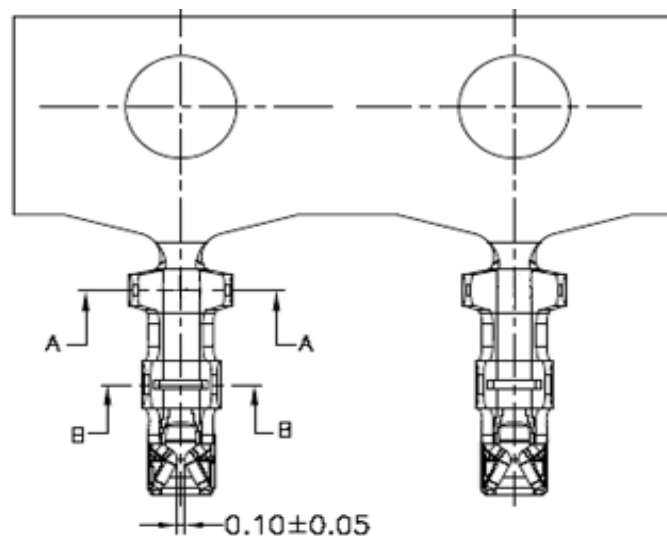
EDCON-COMPONENTS



Specifications

Voltage Rating:	125V AC,DC
Current Rating	1A AC/DC
Operating Temperature	-25°C ~ + 85°C
Contact Resistance	30 milli Ohm max.
Withstanding Voltage	1000V AC/minute
Insulation Resistance	1000 M Ohm min.
Material Pin:	Phosphor Bronze
Contact Plating:	Tin or Gold Flash Gold Plated

Drawing (dimensions all into mm)



SEC:A-A

SEC:B-B

Terminal Pitch 1,25mm

Part No.: **T68S065**

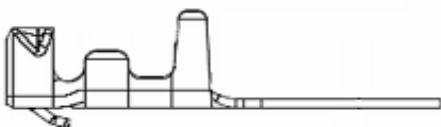
Customer:

DRW:	Jason	CHKD	Wilson	MATL:	Wilson	TOLERANCE	Mason	DATE	02.04.2009
APPD:	Schumi			FINISH	Jamy		Sheet No.	1 from 2	

www.edcon-components.com

email: info@edcon-components.com

EDCON-COMPONENTS



Ordering Informations

Serie	Contact	Wire Size	Packing						
T68S065	T	32	TR153						

T= Tin	32 = AWG 28~ 32	TR153= Tape/Reel 10000PCS							
G= Flash Gold									

Terminal Pitch 1,25mm
Part No.: T68S065
Customer:

DRW:	Jason	CHKD	Wilson	MATL:	Wilson	TOLERANCE	Mason	DATE	02.04.2009
APPD:	Schumi			FINISH	Jamy		Sheet No.		2 from 2

www.edcon-components.com

email: info@edcon-components.com