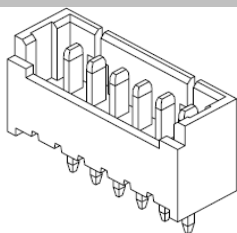


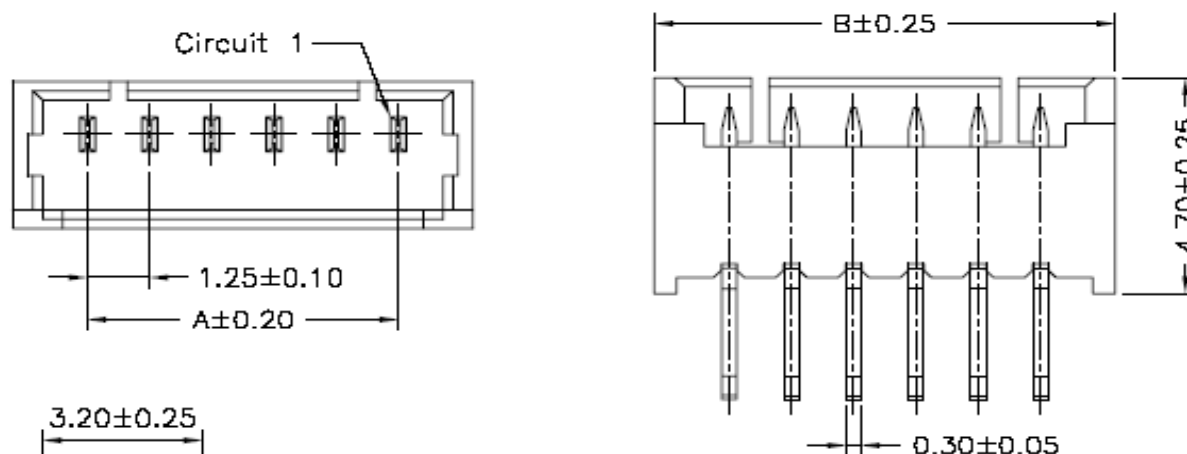
# EDCON-COMPONENTS



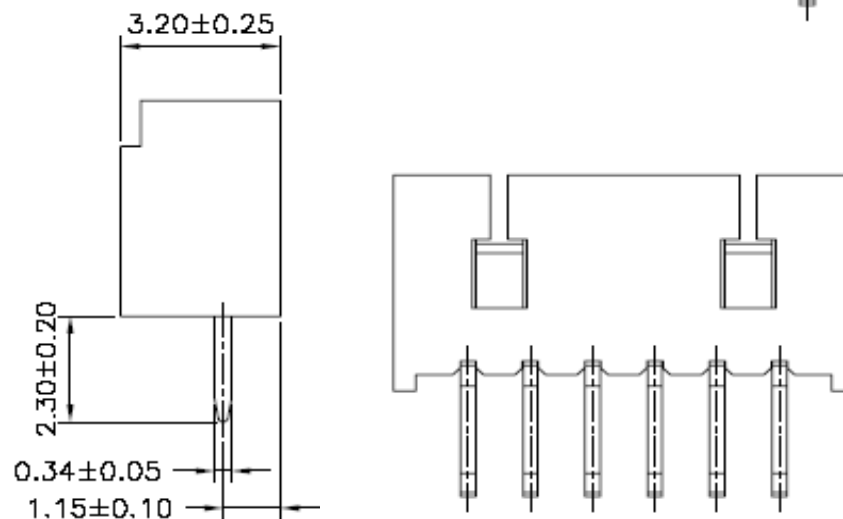
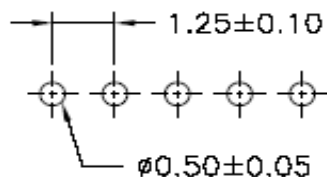
## Specifications

Voltage Rating:	125 V AC/DC
Current Rating:	1A AC/DC
Operating Temperature:	-25°C to +85°C
Contact Resistance:	20 mΩ
Withstanding Voltage:	500 V AC/Minute
Insulation Resistance:	100MΩ min.
Material Housing:	Nylon 6T / UL94V-0
Color:	Natural / (Beige)
Pin-Material:	Phosphor Bronze / Tin-plated

## Drawing ( dimensions all into mm)



## P.C.B. Layout



Wafer Serie T68Sxxxx Pitch  
1,25mm

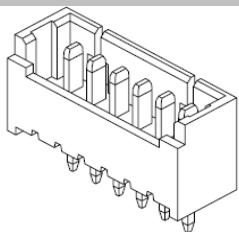
Part No.: **T68S060**

Customer:

DRW:	Jason	CHKD	Wilson	MATL:	Wilson	TOLERANCE	Mason	DATE	02.04.2009
APPD:	Schumi			FINISH	Jamy		Sheet No.	1 from 4	



# EDCON-COMPONENTS



## Ordering Informations

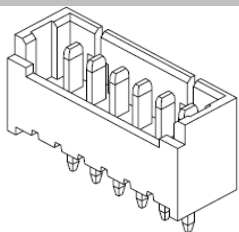
Serie	Number of Pos.	Color of Body	Packing							
<b>T68S060</b>	<b>02</b>	<b>NA</b>	<b>BU</b>							
<b>xx = Pos.</b>	<b>NA= Natural</b>	<b>BU= Bulk-Packing</b>								
	<b>BG= Beige</b>									

Wafer Serie T68Sxxxx Pitch 1,25mm
Part No.: <b>T68S060</b>
Customer:

DRW:	Jason	CHKD	Wilson	MATL:	Wilson	TOLERANCE	Mason	DATE	02.04.2009
APPD:	Schumi			FINISH	Jamy			Sheet No.	3 from 4

[www.edcon-components.com](http://www.edcon-components.com)

email: [info@edcon-components.com](mailto:info@edcon-components.com)



Soldering Profile Curve

Classification Reflow Profile (JEDEC J-STD-020C)



Wafer Serie T68Sxxxx Pitch  
1,25mm

Part No.: **T68S060**

DRW:	Jason	CHKD	Wilson	MATL:	Wilson	TOLERANCE	Mason	DATE	02.04.2009	Customer:
APPD:	Schumi			FINISH	Jamy		Sheet No.	4 from 4		