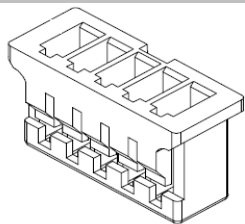


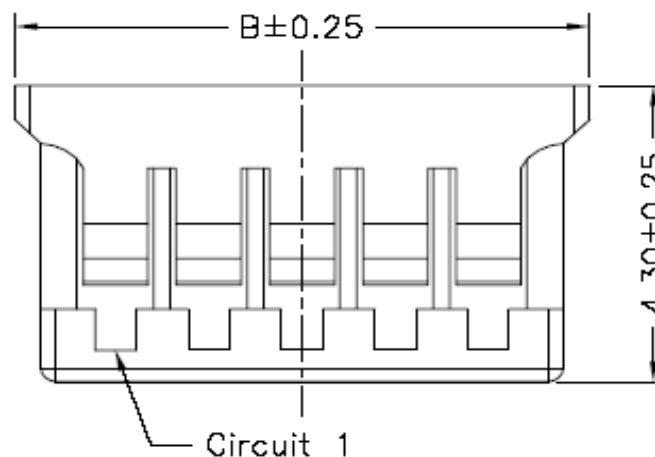
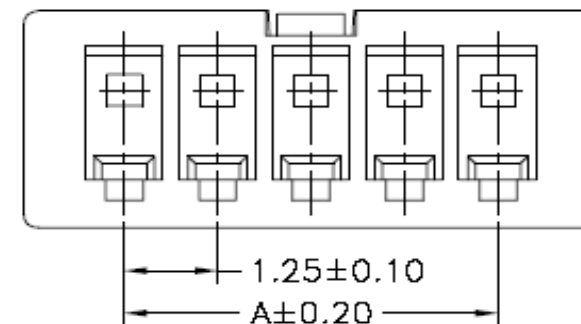
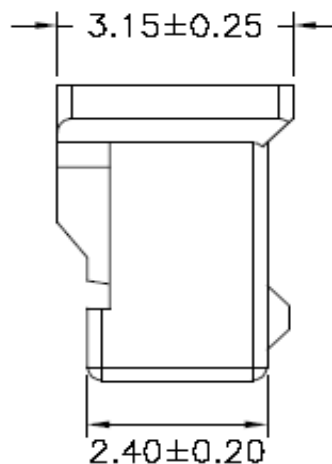
# EDCON-COMPONENTS



## Specifications

Voltage Rating:	200 V AC/DC
Current Rating:	1A AC/DC
Operating Temperature:	-25°C to +85°C
Contact Resistance:	20 mΩ
Withstanding Voltage:	500 V AC/Minute
Insulation Resistance:	100MΩ min.
Material Housing:	Nylon 66 / UL94V-0
Color Tone:	472C

## Drawing ( dimensions all into mm)



Housing Serie T68Sxxxx Pitch  
1,25mm

Part No.: **T68S046**

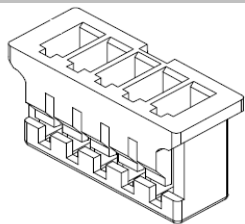
Customer:  
email: info@edcon-components.com

DRW:	Jason	CHKD	Wilson	MATL:	Wilson	TOLERANCE	Mason	DATE	02.04.2009
APPD:	Schumi			FINISH	Jamy		Sheet No.	1 from 3	

[www.edcon-components.com](http://www.edcon-components.com)



# EDCON-COMPONENTS



## Ordering Informations

Serie	Number of Pos.	Color of Body	Packing							
<b>T68S046</b>	<b>02</b>	<b>NA</b>	<b>BU</b>							
<b>xx = Pos.</b>	<b>NA= Natural</b>	<b>BU= Bulk Packing</b>								

Housing Serie T68Sxxxx Pitch 1,25mm
Part No.: <b>T68S046</b>
Customer:

DRW:	Jason	CHKD	Wilson	MATL:	Wilson	TOLERANCE	Mason	DATE	02.04.2009
APPD:	Schumi			FINISH	Jamy		Sheet No.		3 from 3