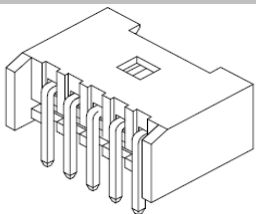


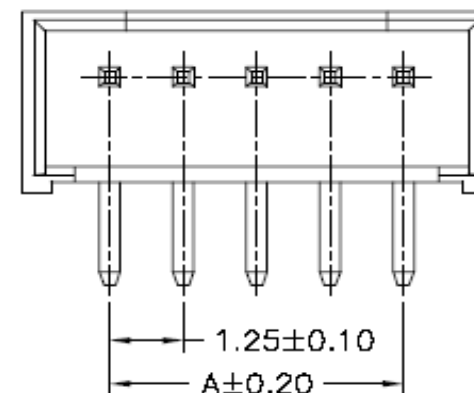
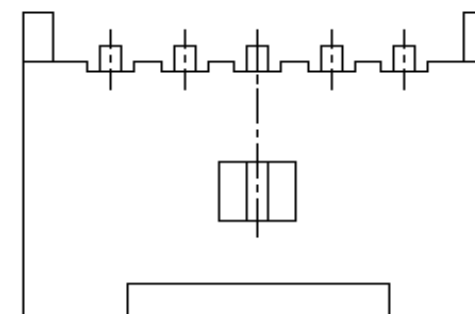
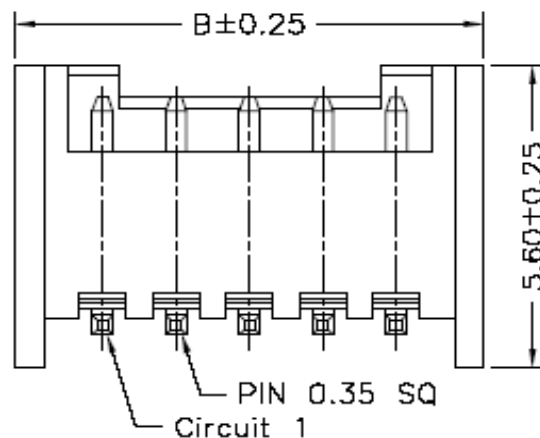
# EDCON-COMPONENTS



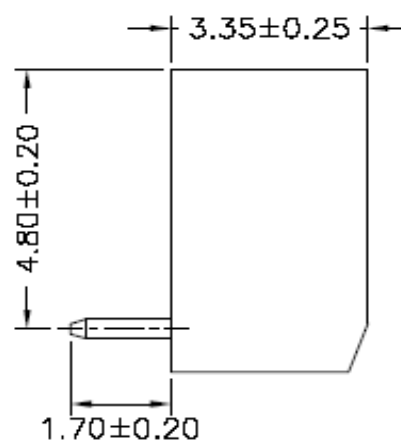
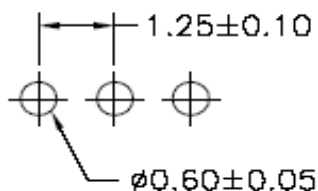
## Specifications

Voltage Rating:	200 V AC/DC
Current Rating:	1A AC/DC
Operating Temperature:	-25°C to +85°C
Contact Resistance:	20 mΩ
Withstanding Voltage:	500 V AC/Minute
Insulation Resistance:	100MΩ min.
Material Housing:	Nylon 66 / UL94V-0
Color:	472C
Pin-Material:	Brass /Tin-plated

## Drawing ( dimensions all into mm)



## P.C.B. Layout



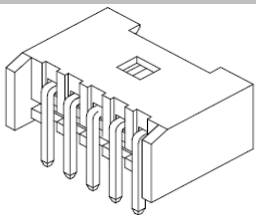
Wafer Serie T68Sxxxx Pitch  
1,25mm

Part No.: **T68S044**

Customer:

DRW:	Jason	CHKD	Wilson	MATL:	Wilson	TOLERANCE	Mason	DATE	02.04.2009
APPD:	Schumi			FINISH	Jamy		Sheet No.		1 from 4

# EDCON-COMPONENTS



## Dimension Information about Housing

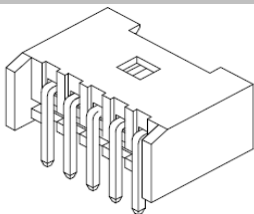
Pos.	Dimension (mm)					
	A	B	C	D	E	F
2	1,25	4,25				
3	2,50	5,50				
4	3,75	6,75				
5	5,00	8,00				
6	6,25	9,25				
7	7,50	10,50				
8	8,75	11,75				
9	10,00	13,00				
10	11,25	14,25				
11	12,50	15,50				
12	13,75	16,75				
13	15,00	18,00				
14	16,25	19,25				
15	17,50	20,50				

Pos.	Dimension (mm)					
	A	B	C	D	E	F

Wafer Serie T68Sxxxx Pitch 1,25mm	
Part No.:	<b>T68S044</b>
Customer:	

DRW:	Jason	CHKD	Wilson	MATL:	Wilson	TOLERANCE	Mason	DATE	02.04.2009
APPD:	Schumi			FINISH	Jamy		Sheet No.	2 from 4	

# EDCON-COMPONENTS



## Ordering Informations

Serie	Number of Pos.	Color of Body	Packing							
-------	----------------	---------------	---------	--	--	--	--	--	--	--

<b>T68S044</b>	<b>02</b>	<b>NA</b>	<b>BU</b>							
----------------	-----------	-----------	-----------	--	--	--	--	--	--	--

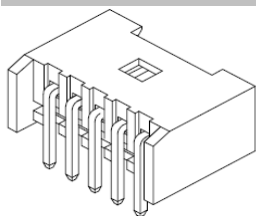
<b>xx = Pos.</b>	<b>NA= Natural</b>	<b>BU= Bulk-Packing</b>								

Wafer Serie T68Sxxxx Pitch 1,25mm
Part No.: <b>T68S044</b>
Customer:

DRW:	Jason	CHKD	Wilson	MATL:	Wilson	TOLERANCE	Mason	DATE	02.04.2009
APPD:	Schumi			FINISH	Jamy			Sheet No.	3 from 4

[www.edcon-components.com](http://www.edcon-components.com)

email: [info@edcon-components.com](mailto:info@edcon-components.com)



Soldering Profile Curve

Classification Reflow Profile (JEDEC J-STD-020C)



Wafer Serie T68Sxxxx Pitch  
1,25mm

Part No.: **T68S044**

DRW:	Jason	CHKD	Wilson	MATL:	Wilson	TOLERANCE	Mason	DATE	02.04.2009	Customer:
APPD:	Schumi			FINISH	Jamy		Sheet No.	4 from 4		