

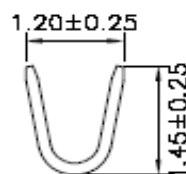
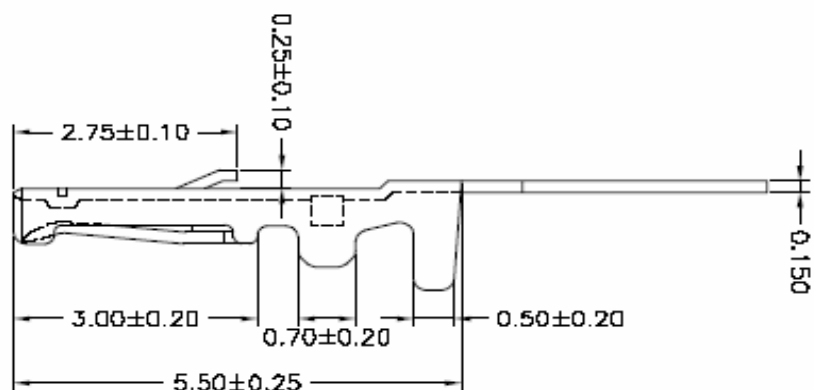
# EDCON-COMPONENTS



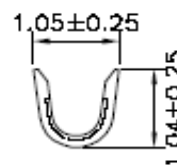
## Specifications

Insulation O.D.:	0,90mm (max.)
Wire Range:	AWG 28~32
Material Pin:	Phosphor Bronze
Contact Plating:	Tin or Gold Flash Gold Plated

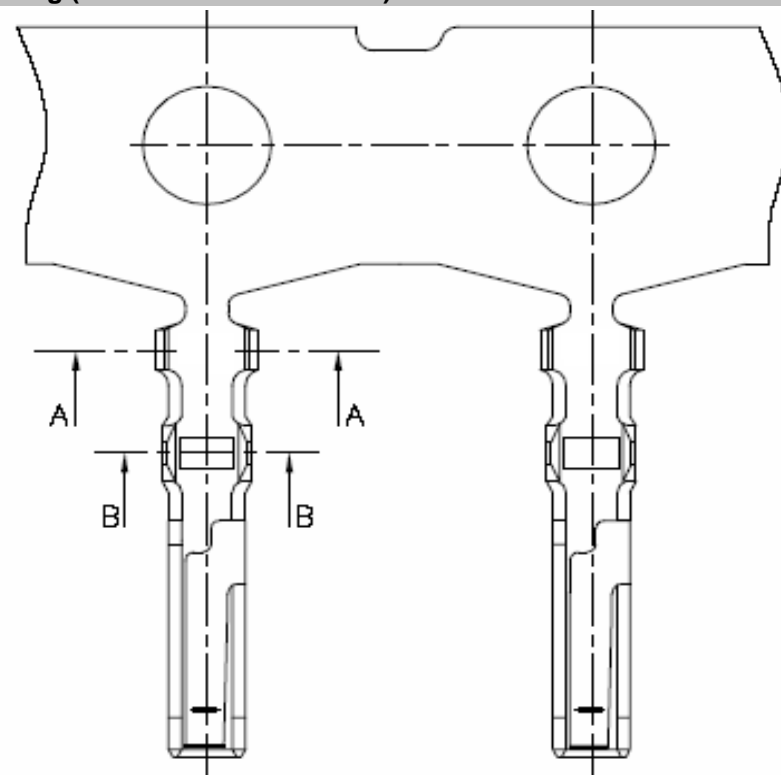
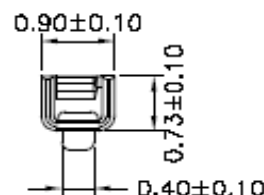
## Drawing ( dimensions all into mm )



SEC:A-A



SEC:B-B



Terminal Pitch 1,25mm

Part No.: **T68S005**

Customer:

DRW:	Jason	CHKD	Wilson	MATL:	Wilson	TOLERANCE	Mason	DATE	15.12.2010
APPD:	Schumi			FINISH	Jamy		Sheet No.	1 from 2	

# EDCON-COMPONENTS



## Ordering Informations

Serie	Contact	Wire Size	Packing						
<b>T68S005</b>	<b>T</b>	<b>32</b>	<b>TR103</b>						

<b>T= Tin</b>	<b>32 = AWG</b> 28~ 32	<b>TR103=</b> Tape/Reel 10000PCS							
<b>G0= Flash</b> Gold									
<b>GA= 5µFlash</b> Gold									

Terminal Pitch 1,25mm
Part No.: <b>T68S005</b>
Customer:

DRW:	Jason	CHKD	Wilson	MATL:	Wilson	TOLERANCE	Mason	DATE	15.12.2010
APPD:	Schumi			FINISH	Jamy		Sheet No.	2 from 2	