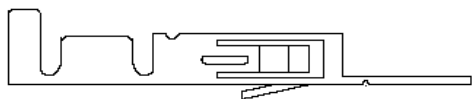


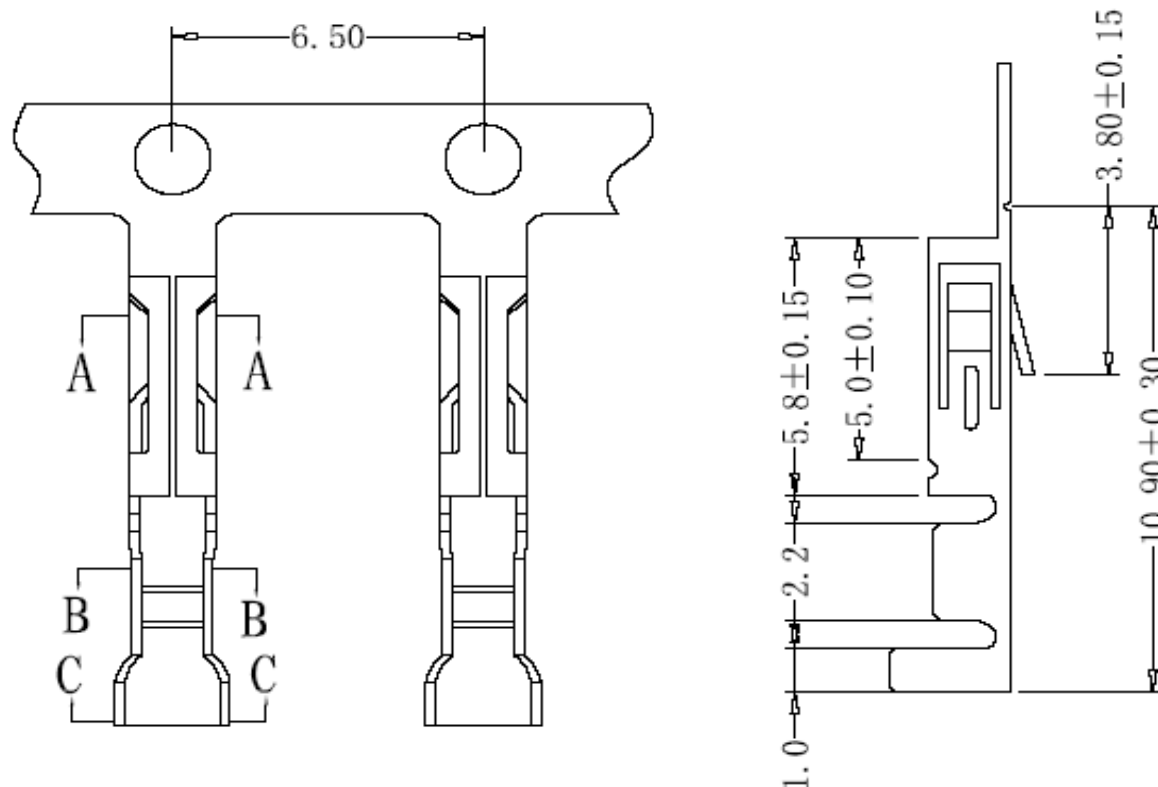
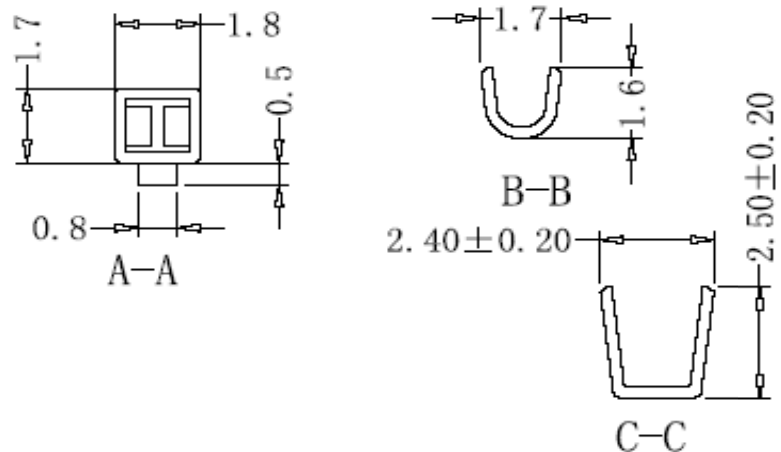
EDCON-COMPONENTS



Specifications

Voltage Rating: 250 V AC/DC
Current Rating: 3A AC/DC
Operating Temperature: -25°C to +85°C
Contact Resistance: 20 mΩ
Withstanding Voltage: 1000 V AC/Minute
Insulation Resistance: 100MΩ min.
Material Housing: Nylon 66 / UL94V-0
 Glass Fiber
Contact Material: Phosphor Bronze
Contact Plating: Tin Plated
Thickness: 0,25mm
Wire Range: AWG# 22~30

Drawing (dimensions all into mm)



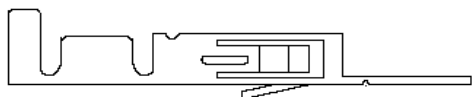
Terminal Serie T68Pxxx Pitch 2,50mm

Part No.: **T68P071**

Customer:

DRW:	Jason	CHKD	Wilson	MATL:	Wilson	TOLERANCE	Mason	DATE	26.05.2011
APPD:	Schumi			FINISH	Jamy		Sheet No.	1 from 2	

EDCON-COMPONENTS



Ordering Informations

Serie	Contact Plating	ROHS	Packing							
T68P071	TN	R	TR							
	TN= Tin plated	R= Rohs Conform N= NON Rohs Conform	TR= Tape Reel							

Terminal Serie T68Pxxx Pitch 2,50mm
Part No.: T68P071
Customer:

DRW:	Jason	CHKD	Wilson	MATL:	Wilson	TOLERANCE	Mason	DATE	26.05.2011
APPD:	Schumi			FINISH	Jamy		Sheet No.		2 from 2

www.edcon-components.com

email: info@edcon-components.com