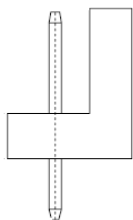


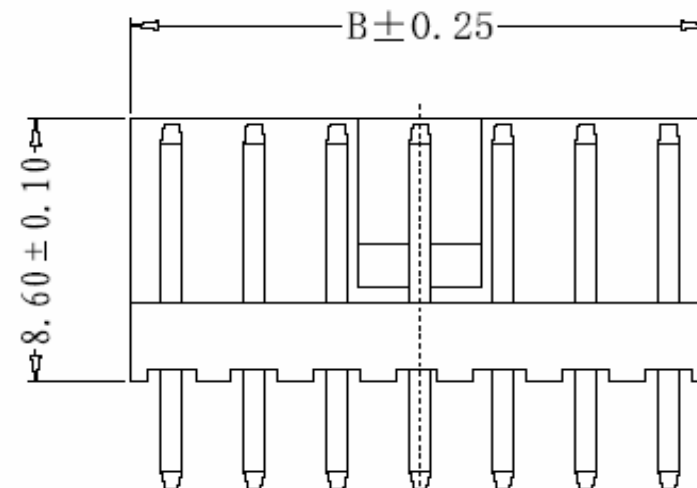
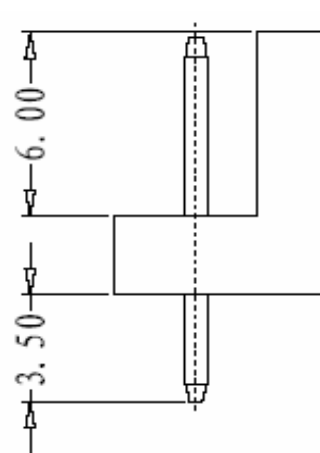
EDCON-COMPONENTS



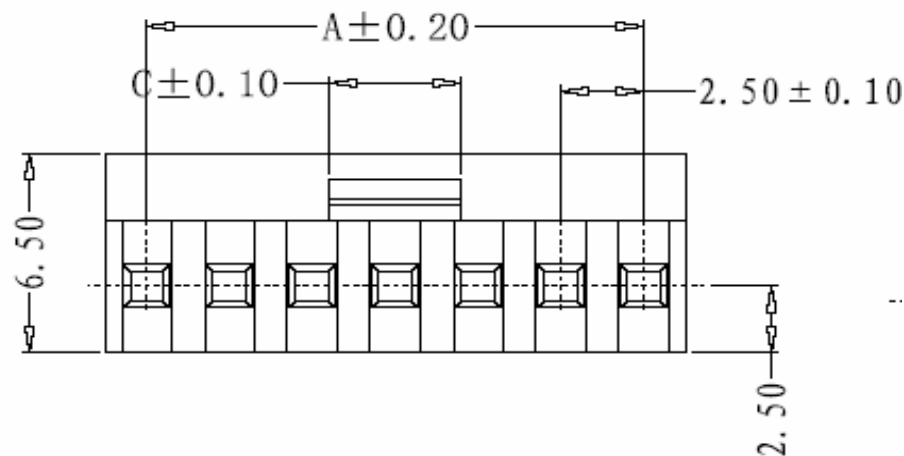
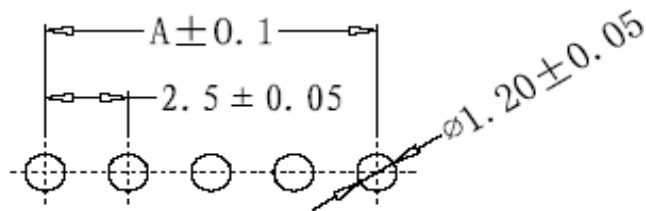
Specifications

Voltage Rating: 250 V AC/DC
 Current Rating: 3A AC/DC
 Operating Temperature: -25°C to + 85°C
 Contact Resistance: 20 mΩ
 Withstanding Voltage: 1000 V AC/Minute
 Insulation Resistance: 100MΩ min.
 Material Housing: Nylon 66 / UL94V-0
 Contact Material: Brass, Tin plated

Drawing (dimensions all into mm)



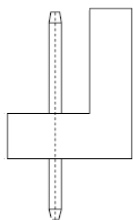
PCB Layout



Wafer Serie T68Pxxx Pitch 2,50mm
Part No.: T68P066
Customer:

DRW:	Jason	CHKD	Wilson	MATL:	Wilson	TOLERANCE	Mason	DATE	26.05.2011
APPD:	Schumi			FINISH	Jamy		Sheet No.	1 from 4	

EDCON-COMPONENTS

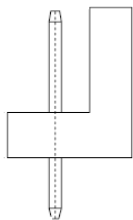


Ordering Informations

Serie	Number of Pos.	Color of Body	Contact Plating	ROHS	Packing					
T68P066	02	WH	TN	R	BU					
	xx = Pos.	WH= White	TN= Tin plated	R= Rohs Conform	BU= Bulk Ware					
				N= NON Rohs Conform						

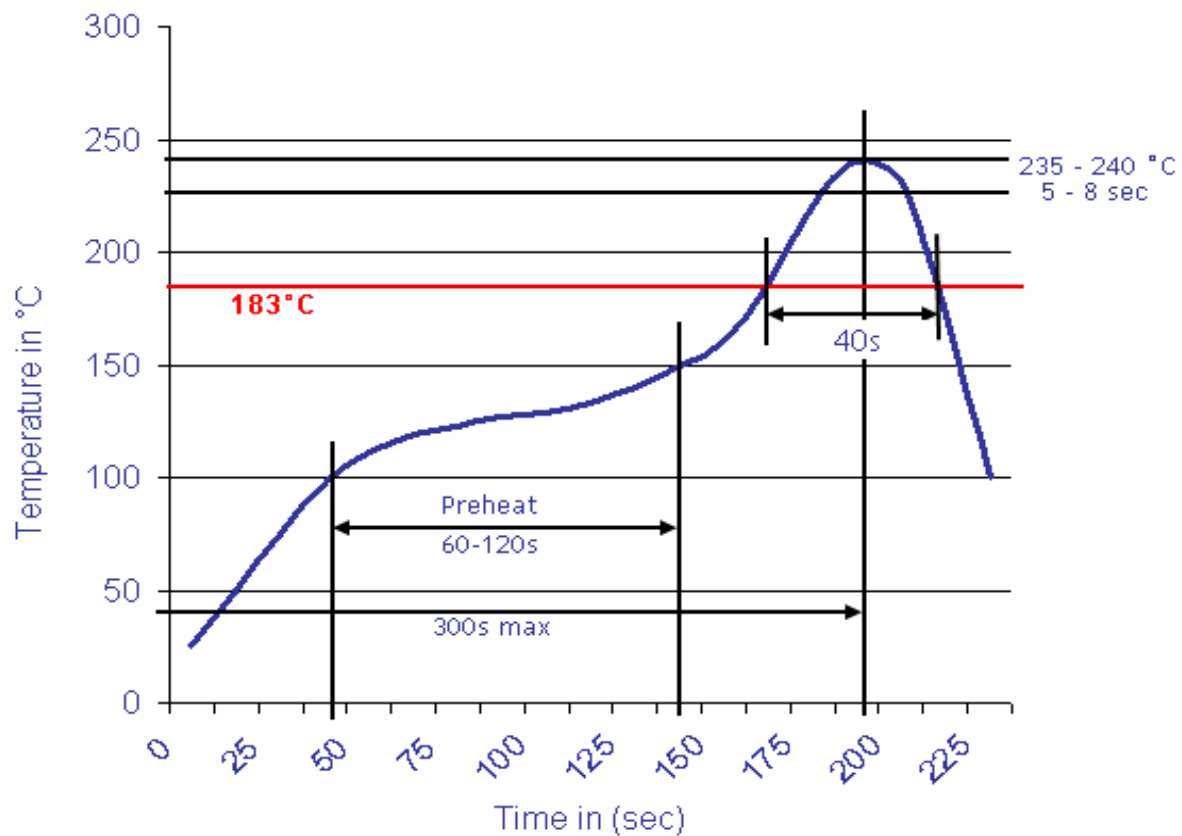
Wafer Serie T68Pxxx Pitch 2,50mm
Part No.: T68P066
Customer:

DRW:	Jason	CHKD	Wilson	MATL:	Wilson	TOLERANCE	Mason	DATE	26.05.2011
APPD:	Schumi			FINISH	Jamy		Sheet No.		3 from 4



Soldering Profile Curve

Classification Reflow Profile (JEDEC J-STD-020C)



Wafer Serie T68Pxxx Pitch
2,50mm

Part No.: **T68P066**

DRW:	Jason	CHKD	Wilson	MATL:	Wilson	TOLERANCE	Mason	DATE	26.05.2011
APPD:	Schumi			FINISH	Jamy		Sheet No.	4 from 4	Customer: