

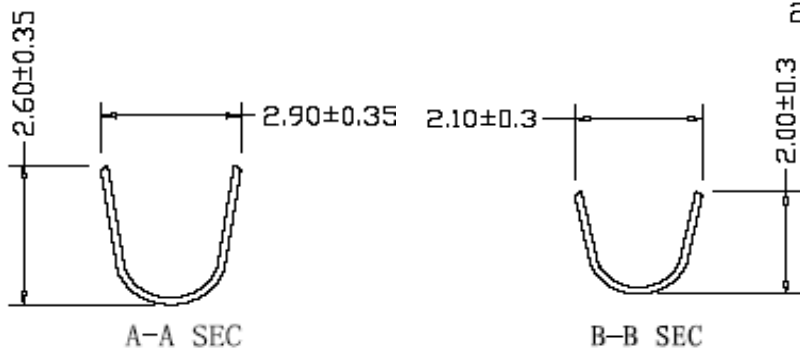
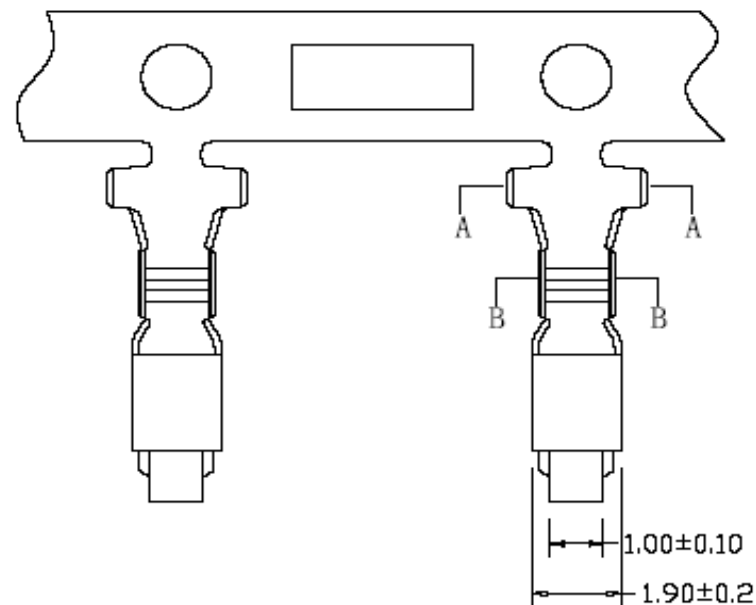
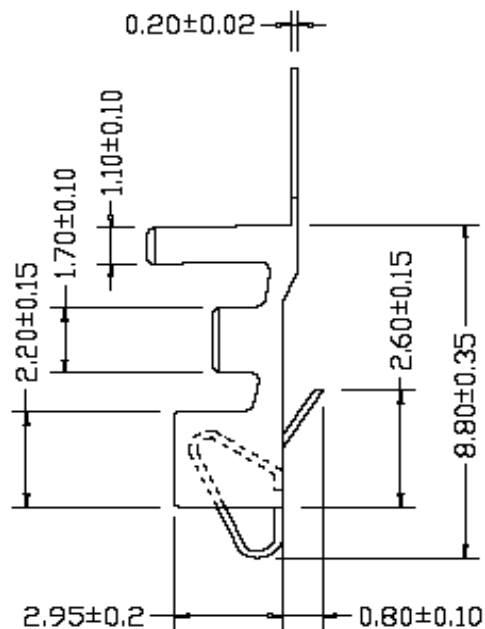
EDCON-COMPONENTS



Specifications

Voltage Rating:	250 V AC/DC
Current Rating:	3A AC/DC
Operating Temperature:	-25°C to +85°C
Contact Resistance:	20 mΩ
Withstanding Voltage:	800 V AC/Minute
Insulation Resistance:	1000MΩ min.
Material Contact:	Phosphor Bronze
Contact Plating:	Tin plated
Thickness:	0,2mm
Hardness:	SH
Quantity of Reel:	7000PCS

Drawing (dimensions all into mm)



Terminal Serie T68Pxxx Pitch 2,50mm	
Part No.:	T68P065
Customer:	

DRW:	Jason	CHKD	Wilson	MATL:	Wilson	TOLERANCE	Mason	DATE	26.05.2011
APPD:	Schumi			FINISH	Jamy		Sheet No.	1 from 2	

EDCON-COMPONENTS



Ordering Informations

Serie	Contact Plating	ROHS	Packing							
T68P065	--	TN	R	TR						
		TN= Tin Plated	R= Rohs Conform	TR= Tape Reel						
			N= NON Rohs Conform							

Terminal Serie T68Pxxx Pitch 2,50mm
Part No.: T68P065
Customer:

DRW:	Jason	CHKD	Wilson	MATL:	Wilson	TOLERANCE	Mason	DATE	26.05.2011
APPD:	Schumi			FINISH	Jamy		Sheet No.		2 from 2