

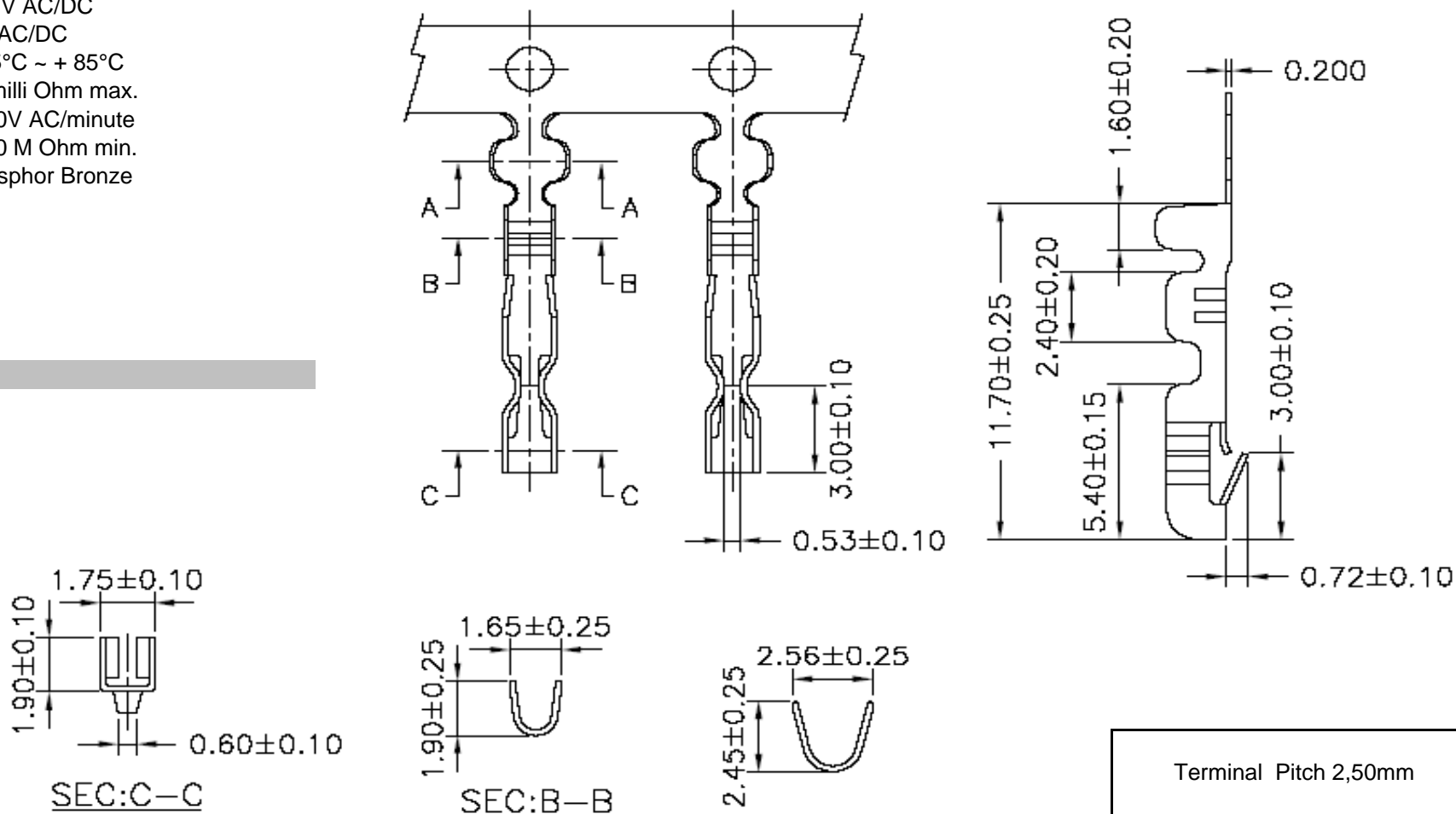
EDCON-COMPONENTS



Specifications

Voltage Rating:	250 V AC/DC
Current Rating	3A AC/DC
Operating Temperature	-25°C ~ + 85°C
Contact Resistance	20 milli Ohm max.
Withstanding Voltage	1000V AC/minute
Insulation Resistance	1000 M Ohm min.
Material Pin:	Phosphor Bronze
Contact Plating:	Tin

Drawing (dimensions all into mm)



Terminal Pitch 2,50mm

Part No.: **T68P059**

Customer:

DRW:	Jason	CHKD	Wilson	MATL:	Wilson	TOLERANCE	Mason	DATE	02.04.2009
APPD:	Schumi			FINISH	Jamy		Sheet No.	1 from 2	

EDCON-COMPONENTS



Ordering Informations

Serie	C- Plating	C-Material	Wire Size	Packing					
T68P059	T	BS	26	TR103					

T= Tin	BS= Brass	26 = AWG 22~ 26	TR103= Tape/Reel 10000PCS						

Terminal Pitch 2,50mm
Part No.: T68P059
Customer:

DRW:	Jason	CHKD	Wilson	MATL:	Wilson	TOLERANCE	Mason	DATE	02.04.2009
APPD:	Schumi			FINISH	Jamy		Sheet No.		2 from 2

www.edcon-components.com

email: info@edcon-components.com