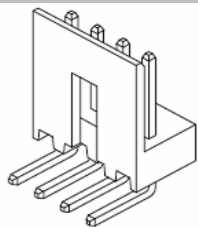


EDCON-COMPONENTS

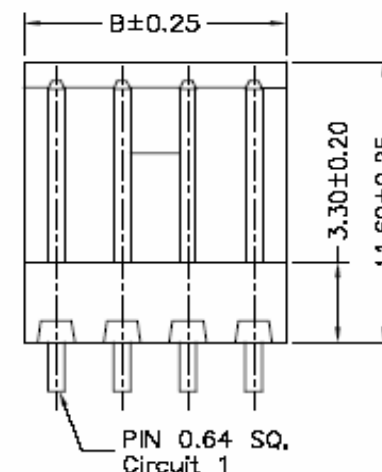
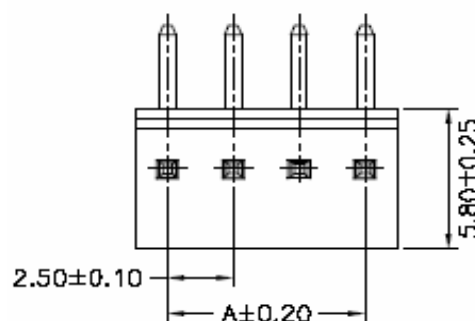


Specifications

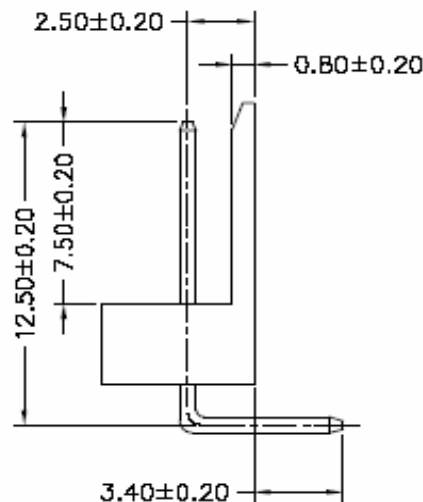
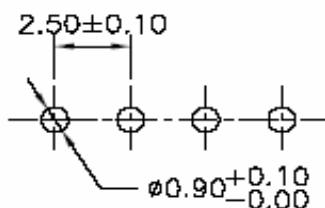
Voltage Rating: 250 V AC/DC
 Current Rating: 3A AC/DC
 Operating Temperature: -25°C to +85°C
 Contact Resistance: 10 mΩ
 Withstanding Voltage: 800 V AC/Minute
 Insulation Resistance: 500MΩ min.
 Material Housing: Nylon 66 / UL94V-0

Pin-Material: Brass /Tin-plated
 Color of Base: White

Drawing (dimensions all into mm)



P.C.B. Layout



Wafer Serie T68Pxxxx Pitch
2,50mm

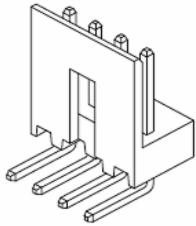
Part No.: **T68P056**

DRW:	Jason	CHKD	Wilson	MATL:	Wilson	TOLERANCE	Mason	DATE	02.04.2009
APPD:	Schumi			FINISH	Jamy		Sheet No.	1 from 4	Customer:

www.edcon-components.com

email: info@edcon-components.com

EDCON-COMPONENTS



Dimension Information about Housing

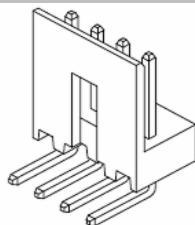
Pos.	Dimension (mm)					
	A	B	C	D	E	F
2	2,50	5,00				
3	5,00	7,50				
4	7,50	10,00				
5	10,00	12,50				
6	12,50	15,00				
7	15,00	17,50				
8	17,50	20,00				
9	20,00	22,50				
10	22,50	25,00				
11	25,00	27,50				
12	27,50	30,00				
13	30,00	32,50				
14	32,50	35,00				
15	35,00	37,50				

Pos.	Dimension (mm)					
	A	B	C	D	E	F

Wafer Serie T68Pxxxx Pitch 2,50mm	
Part No.:	T68P056
Customer:	

DRW:	Jason	CHKD	Wilson	MATL:	Wilson	TOLERANCE	Mason	DATE	02.04.2009
APPD:	Schumi			FINISH	Jamy		Sheet No.		2 from 4

EDCON-COMPONENTS



Ordering Informations

Serie	Number of Pos.	Leg Function	Color of Body	Packing						
-------	----------------	--------------	---------------	---------	--	--	--	--	--	--

T68P056	02	N	WH	BU						
----------------	-----------	----------	-----------	-----------	--	--	--	--	--	--

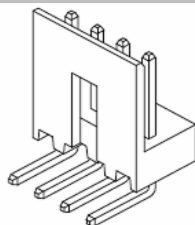
xx = Pos.	N= without Kink	WH= White	BU= Bulk Ware							

Wafer Serie T68Pxxxx Pitch 2,50mm
Part No.: T68P056
Customer:

DRW:	Jason	CHKD	Wilson	MATL:	Wilson	TOLERANCE	Mason	DATE	02.04.2009
APPD:	Schumi			FINISH	Jamy			Sheet No.	3 from 4

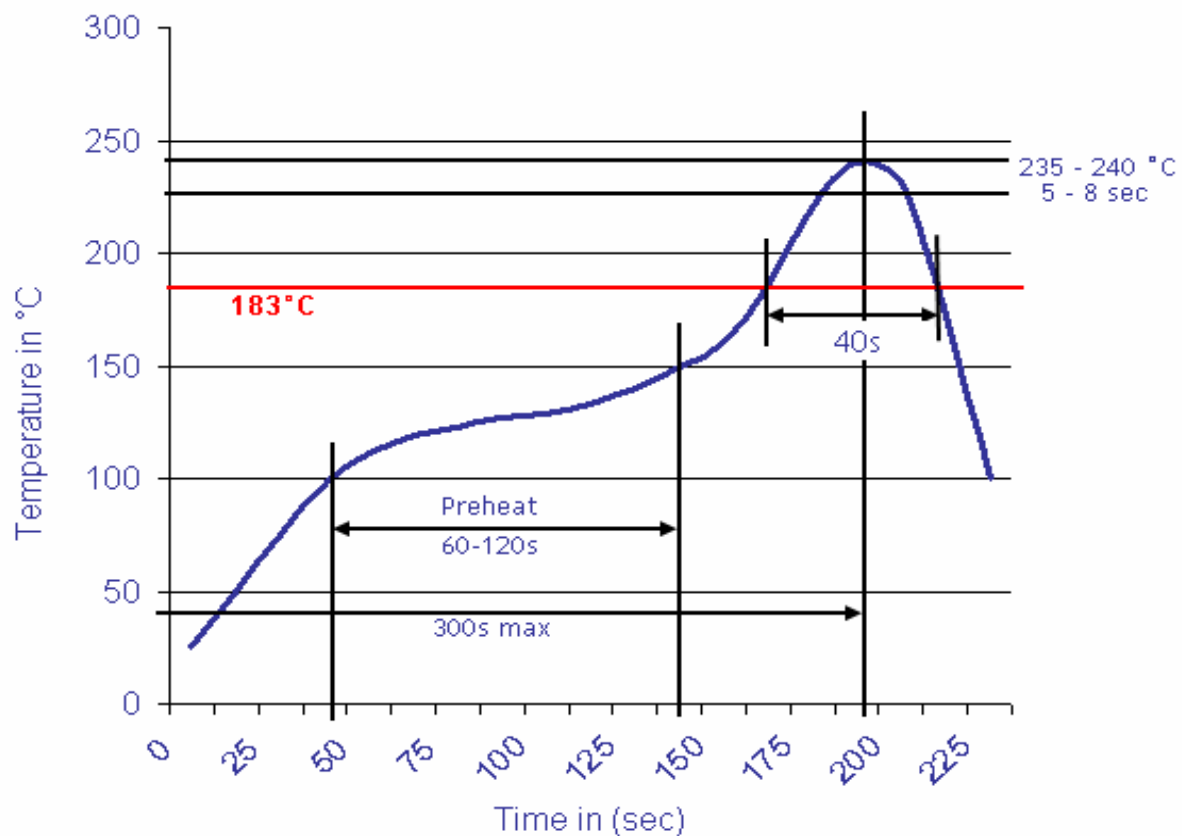
www.edcon-components.com

email: info@edcon-components.com



Soldering Profile Curve

Classification Reflow Profile (JEDEC J-STD-020C)



Wafer Serie T68Pxxxx Pitch
2,50mm

Part No.: **T68P056**

DRW:	Jason	CHKD	Wilson	MATL:	Wilson	TOLERANCE	Mason	DATE	02.04.2009
APPD:	Schumi			FINISH	Jamy		Sheet No.	4 from 4	

Customer: