

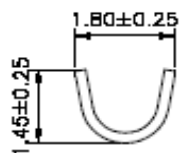
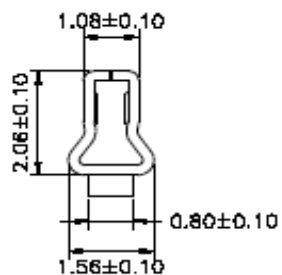
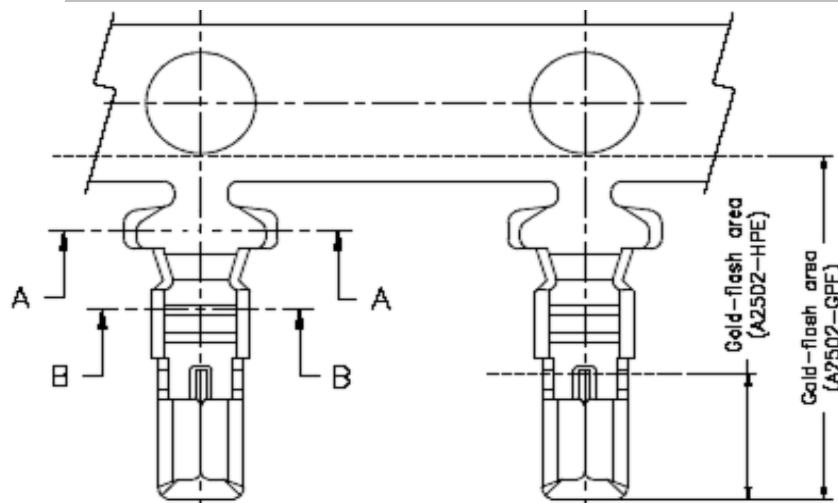
EDCON-COMPONENTS



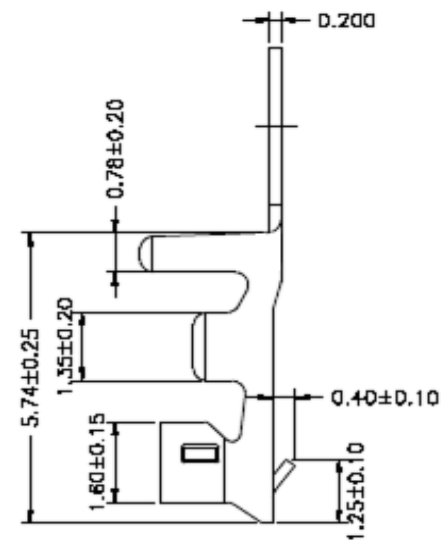
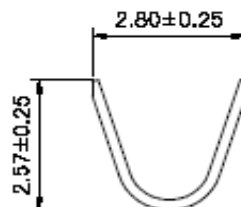
Specifications

Voltage Rating:	250 V AC/DC
Current Rating	3A AC/DC
Operating Temperature	-25°C ~ + 85°C
Contact Resistance	20 milli Ohm max.
Withstanding Voltage	1000V AC/minute
Insulation Resistance	1000 M Ohm min.
Material Pin:	Phosphor Bronze
Contact Plating:	Tin

Drawing (dimensions all into mm)



SEC:B-B



Terminal Pitch 2,50mm

Part No.: **T68P047**

Customer:

DRW:	Jason	CHKD	Wilson	MATL:	Wilson	TOLERANCE	Mason	DATE	02.04.2009
APPD:	Schumi			FINISH	Jamy		Sheet No.	1 from 2	

EDCON-COMPONENTS



Ordering Informations

Serie	C- Plating	C-Material	Wire Size	Packing					
T68P047	T	PB	30	TR103					

T= Tin	PB= Phosph Bronze	30 = AWG 22~ 30	TR103= Tape/Reel 10000PCS						
G= Flash Gold									

Terminal Pitch 2,50mm
Part No.: T68P047
Customer:

DRW:	Jason	CHKD	Wilson	MATL:	Wilson	TOLERANCE	Mason	DATE	02.04.2009
APPD:	Schumi			FINISH	Jamy		Sheet No.	2 from 2	

www.edcon-components.com

email: info@edcon-components.com