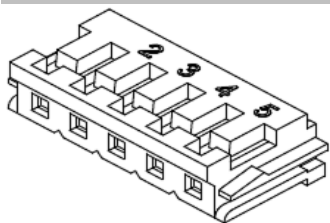


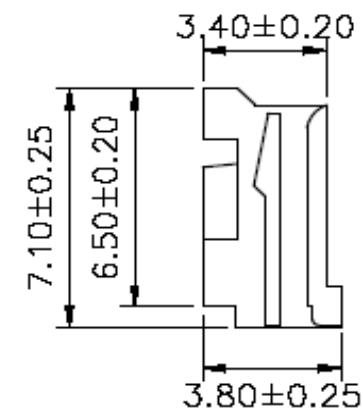
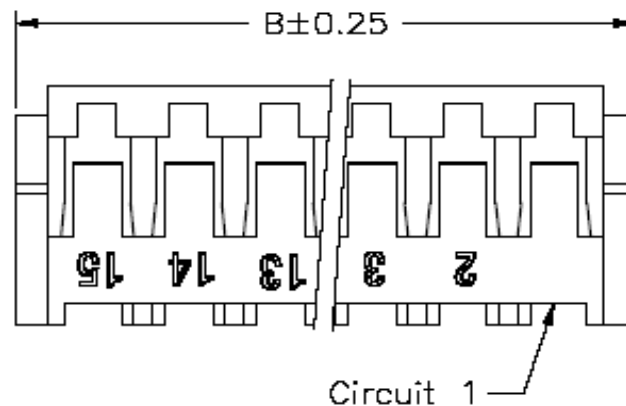
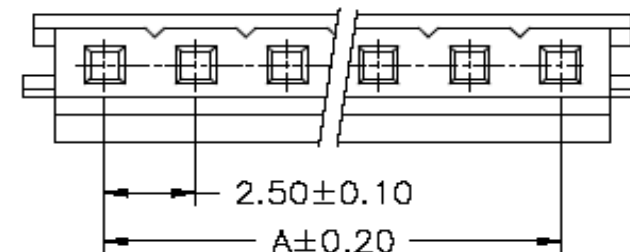
EDCON-COMPONENTS



Specifications

Voltage Rating:	250 V AC/DC
Current Rating:	3A AC/DC
Operating Temperature:	-25°C to +85°C
Contact Resistance:	10 mΩ
Withstanding Voltage:	1000 V AC/Minute
Insulation Resistance:	100MΩ min.
Material Housing:	Nylon 66 / UL94V-0
Body Color:	Natural (White)

Drawing (dimensions all into mm)



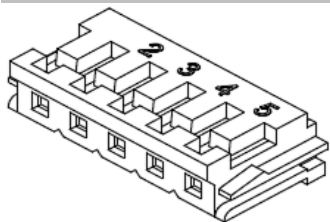
Housing Serie T68Pxxxx Pitch
2,50mm

Part No.: **T68P034**

Customer:

DRW:	Jason	CHKD	Wilson	MATL:	Wilson	TOLERANCE	Mason	DATE	02.04.2009
APPD:	Schumi			FINISH	Jamy		Sheet No.	1 from 3	

EDCON-COMPONENTS



Ordering Informations

Serie	Number of Pos.	Color of Body	Packing							
-------	----------------	---------------	---------	--	--	--	--	--	--	--

T68P034	02	WH	BU							
----------------	-----------	-----------	-----------	--	--	--	--	--	--	--

xx = Pos.	WH= White	BU= Bulk Packing								

Housing Serie T68Pxxxx Pitch 2,50mm

Part No.: **T68P034**

DRW:	Jason	CHKD	Wilson	MATL:	Wilson	TOLERANCE	Mason	DATE	02.04.2009
APPD:	Schumi			FINISH	Jamy		Sheet No.		3 from 3

Customer: