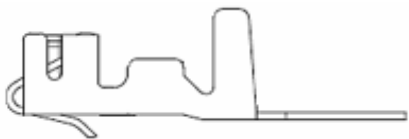


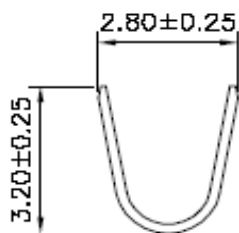
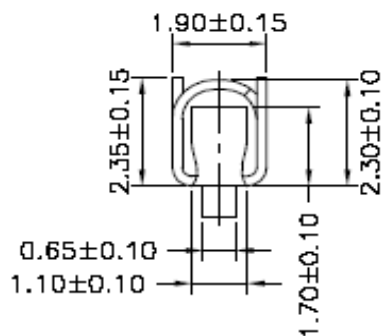
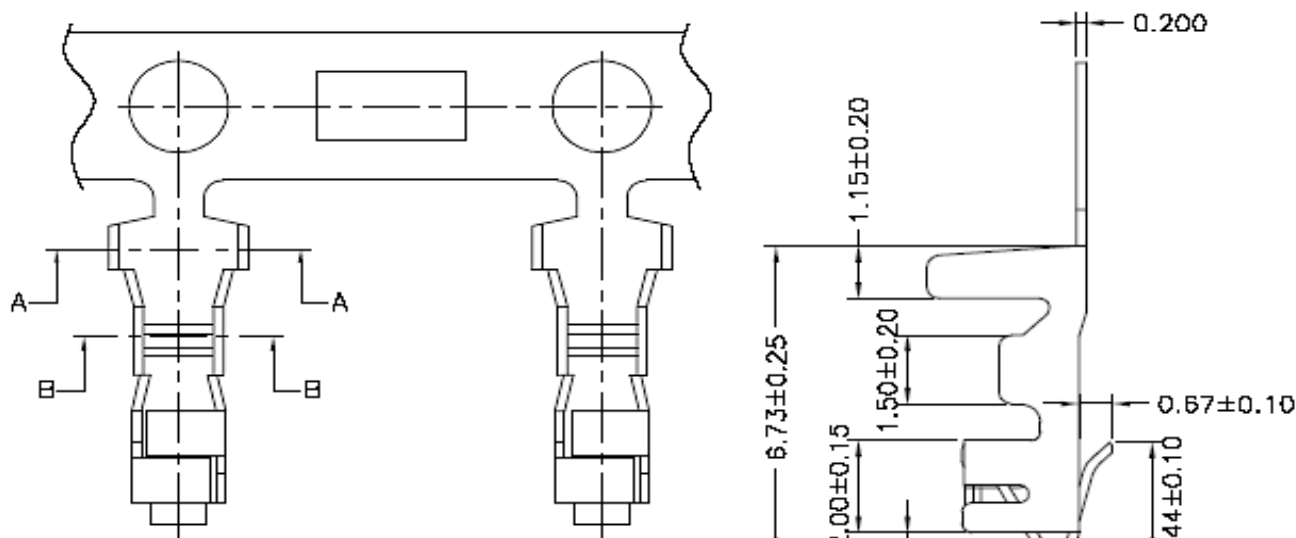
# EDCON-COMPONENTS



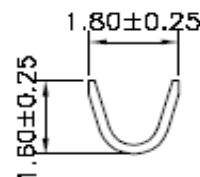
## Specifications

Voltage Rating:	250 V AC/DC
Current Rating	3A AC/DC
Operating Temperature	-25°C ~ + 85°C
Contact Resistance	20 milli Ohm max.
Withstanding Voltage	1000V AC/minute
Insulation Resistance	1000 M Ohm min.
Material Pin:	Phosphor Bronze
Contact Plating:	Tin

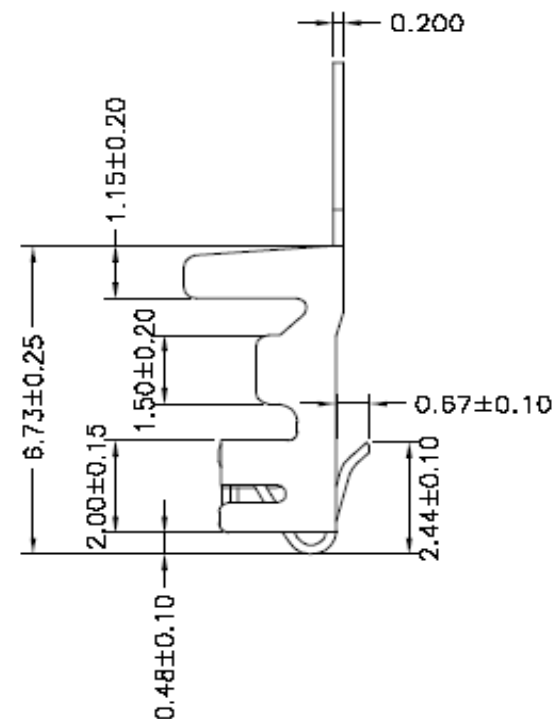
## Drawing ( dimensions all into mm)



SEC:A-A



SEC:B-B



Terminal Pitch 2,50mm

Part No.: **T68P029**

Customer:

DRW:	Jason	CHKD	Wilson	MATL:	Wilson	TOLERANCE	Mason	DATE	02.04.2009
APPD:	Schumi			FINISH	Jamy		Sheet No.	1 from 2	

# EDCON-COMPONENTS



## Ordering Informations

Serie	C- Plating	C-Material	Wire Size	Packing					
<b>T68P029</b>	<b>T</b>	<b>BS</b>	<b>28</b>	<b>TR802</b>					

T= Tin	BS= Brass	28 = AWG 22~ 28	TR802= Tape/Reel 8000PCS						
	PB= Phosph Bronze								

Terminal Pitch 2,50mm
Part No.: <b>T68P029</b>
Customer:

DRW:	Jason	CHKD	Wilson	MATL:	Wilson	TOLERANCE	Mason	DATE	02.04.2009
APPD:	Schumi			FINISH	Jamy		Sheet No.		2 from 2

[www.edcon-components.com](http://www.edcon-components.com)

email: info@edcon-components.com