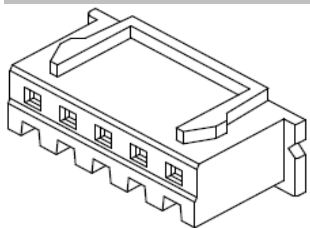


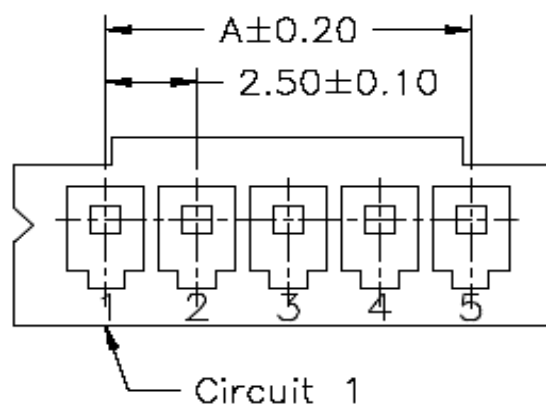
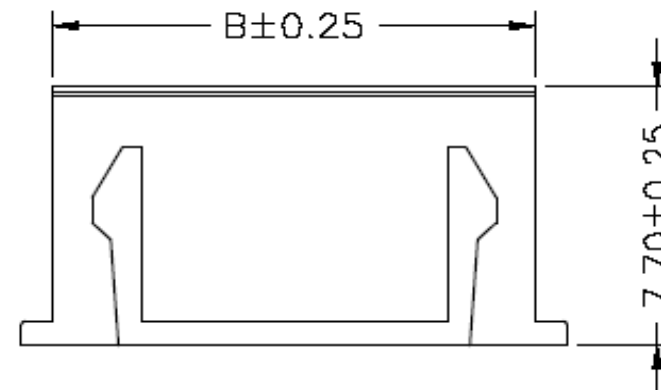
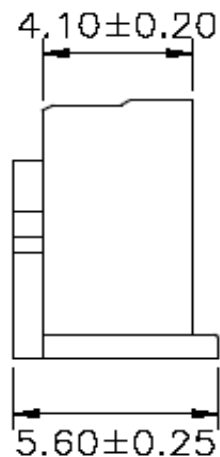
EDCON-COMPONENTS



Specifications

Voltage Rating:	250 V AC/DC
Current Rating:	3A AC/DC
Operating Temperature:	-25°C to +85°C
Contact Resistance:	10 mΩ
Withstanding Voltage:	1000 V AC/Minute
Insulation Resistance:	100MΩ min.
Material Housing:	Nylon 66 / UL94V-0
Body Color:	Natural (White)

Drawing (dimensions all into mm)



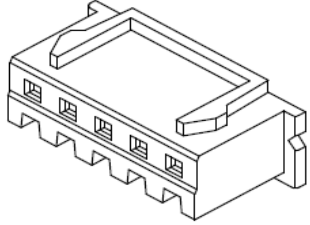
Housing Serie T68Pxxxx Pitch
2,50mm

Part No.: **T68P028**

Customer:

DRW:	Jason	CHKD	Wilson	MATL:	Wilson	TOLERANCE	Mason	DATE	02.04.2009
APPD:	Schumi			FINISH	Jamy		Sheet No.		1 from 3

EDCON-COMPONENTS



Dimension Information about Housing

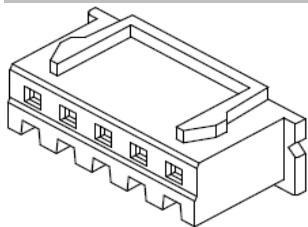
Pos.	Dimension (mm)					
	A	B	C	D	E	F
2	2,50	5,70				
3	5,00	8,20				
4	7,50	10,70				
5	10,00	13,20				
6	12,50	15,70				
7	15,00	18,20				
8	17,50	20,70				
9	20,00	23,20				
10	22,50	25,70				
11	25,00	28,20				
12	27,50	30,70				
13	30,00	33,20				
14	32,50	35,70				
15	35,00	38,20				
16	37,50	40,70				
17	40,00	43,20				
18	42,50	45,70				
19	45,00	48,20				
20	47,50	50,70				

Pos.	Dimension (mm)					
	A	B	C	D	E	F

Housing Serie T68Pxxxx Pitch 2,50mm	
Part No.:	T68P028
Customer:	

DRW:	Jason	CHKD	Wilson	MATL:	Wilson	TOLERANCE	Mason	DATE	02.04.2009
APPD:	Schumi			FINISH	Jamy		Sheet No.	2 from 3	

EDCON-COMPONENTS



Ordering Informations

Serie	Number of Pos.	Color of Body	Packing							
T68P028	02	WH	BU							
xx = Pos.	WH= White	BU= Bulk Packing								

Housing Serie T68Pxxxx Pitch 2,50mm
Part No.: T68P028
Customer:

DRW:	Jason	CHKD	Wilson	MATL:	Wilson	TOLERANCE	Mason	DATE	02.04.2009
APPD:	Schumi			FINISH	Jamy		Sheet No.	3 from 3	

www.edcon-components.com

email: info@edcon-components.com