

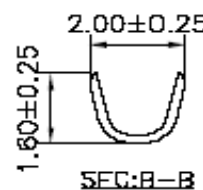
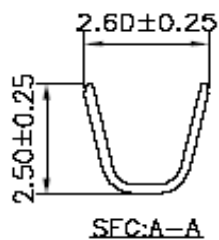
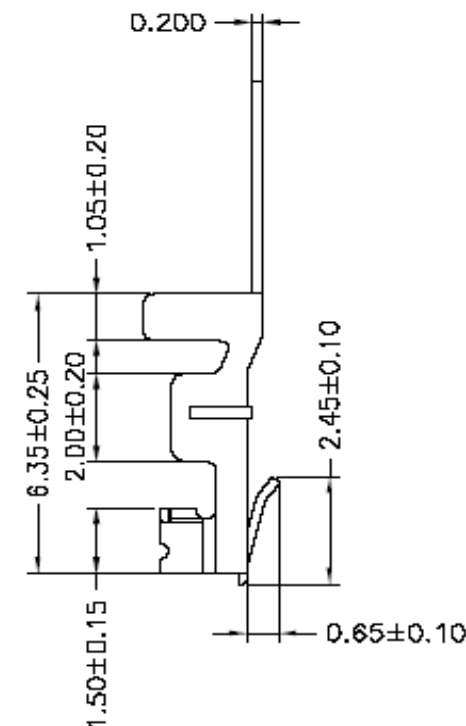
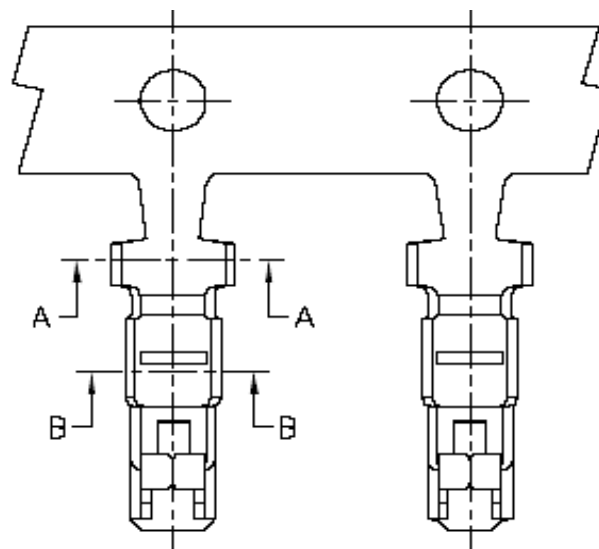
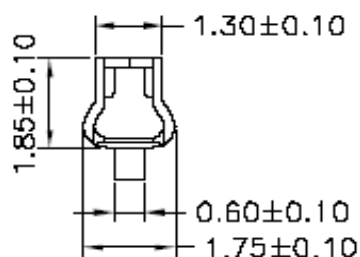
# EDCON-COMPONENTS



## Specifications

Voltage Rating:	500 V AC/DC
Current Rating	3A AC/DC
Operating Temperature	-25°C ~ + 85°C
Contact Resistance	20 milli Ohm max.
Withstanding Voltage	1000V AC/minute
Insulation Resistance	1000 M Ohm min.
Material Pin:	Phosphor Bronze
Contact Plating:	Tin

## Drawing ( dimensions all into mm)



Terminal Pitch 2,50mm

Part No.: **T68P023**

Customer:

DRW:	Jason	CHKD	Wilson	MATL:	Wilson	TOLERANCE	Mason	DATE	02.04.2009
APPD:	Schumi			FINISH	Jamy		Sheet No.		1 from 2

# EDCON-COMPONENTS



## Ordering Informations

Serie	Contact	Wire Size	Packing						
<b>T68P023</b>	<b>T</b>	<b>28</b>	<b>TR103</b>						

<b>T= Tin</b>	<b>28 = AWG 22~ 28</b>	<b>TR103=</b> Tape/Reel 10000PCS								

Terminal Pitch 2,50mm
Part No.: <b>T68P023</b>
Customer:

DRW:	Jason	CHKD	Wilson	MATL:	Wilson	TOLERANCE	Mason	DATE	02.04.2009
APPD:	Schumi			FINISH	Jamy		Sheet No.	2 from 2	

[www.edcon-components.com](http://www.edcon-components.com)

email: info@edcon-components.com