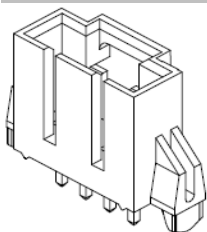


EDCON-COMPONENTS

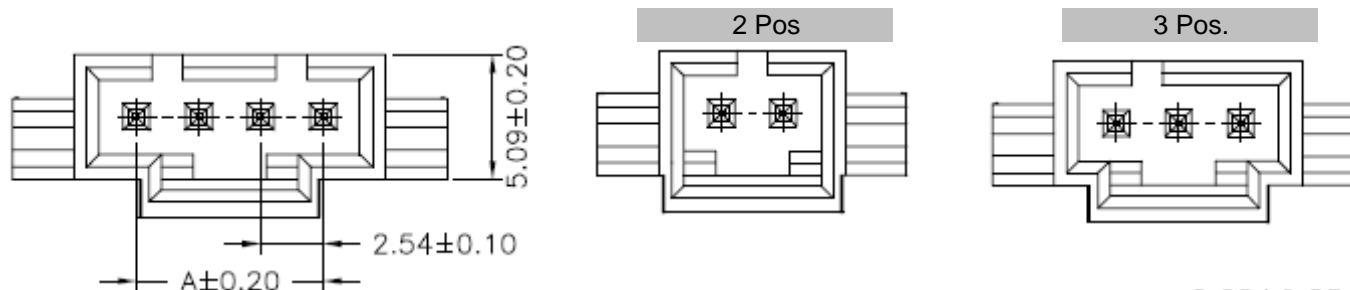


Specifications

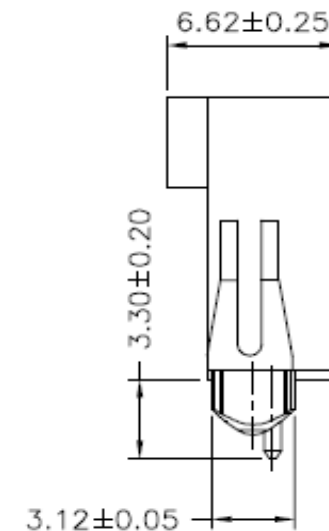
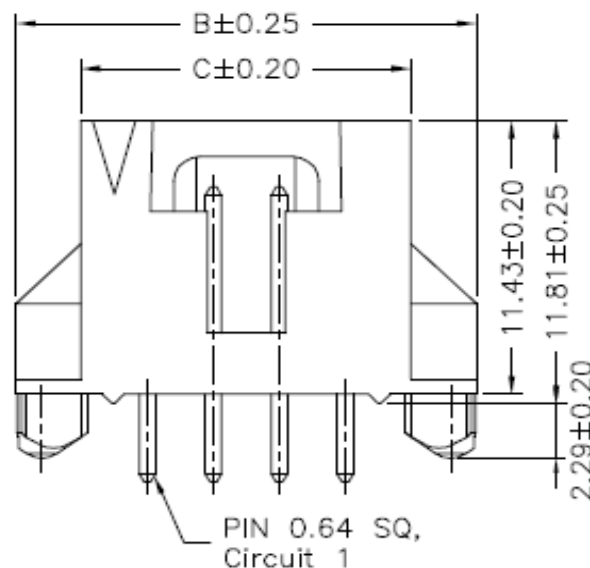
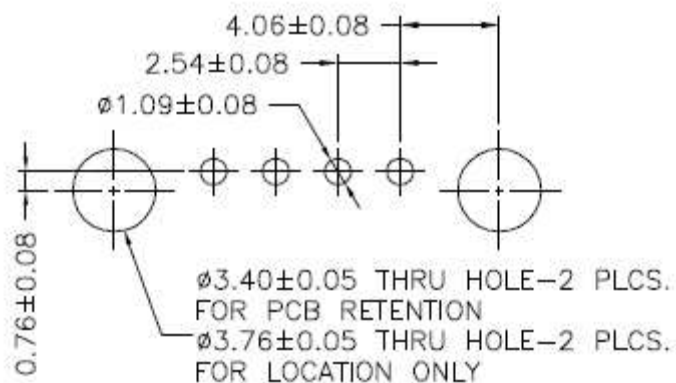
Voltage Rating: 250 V AC/DC
 Current Rating: 3A AC/DC
 Operating Temperature: -25°C to +85°C
 Contact Resistance: 20 mΩ
 Withstanding Voltage: 1500 V AC/Minute
 Insulation Resistance: 1000MΩ min.
 Material Housing: Nylon 6T / UL94V-0

Pin-Material: Brass / Gold-flash
 Color of Base: Black

Drawing (dimensions all into mm)



P.C.B. Layout



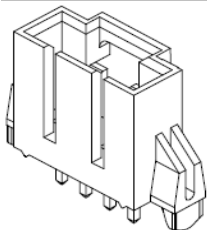
Wafer Serie T68Nxxxx Pitch 2,54mm

Part No.: **T68N303**

Customer:

DRW:	Jason	CHKD	Wilson	MATL:	Wilson	TOLERANCE	Mason	DATE	02.04.2009
APPD:	Schumi			FINISH	Jamy		Sheet No.		1 from 4

EDCON-COMPONENTS



Ordering Informations

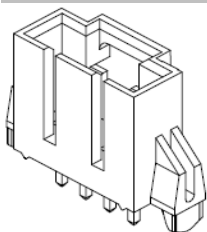
Serie	Number of Pos.	Contact Plating	Color of Body	Packing						
-------	----------------	-----------------	---------------	---------	--	--	--	--	--	--

T68N303	02	GF	BK	BU						
----------------	-----------	-----------	-----------	-----------	--	--	--	--	--	--

xx = Pos.	GF= Gold Flash (standard)	BK= Black	BU= Bulk-Ware							
	Gx = Other Contact Plating on request									

Wafer Serie T68Nxxxx Pitch 2,54mm
Part No.: T68N303
Customer:

DRW:	Jason	CHKD	Wilson	MATL:	Wilson	TOLERANCE	Mason	DATE	02.04.2009
APPD:	Schumi			FINISH	Jamy		Sheet No.		3 from 4



Soldering Profile Curve

Classification Reflow Profile (JEDEC J-STD-020C)



Wafer Serie T68Nxxxx Pitch
2,54mm

Part No.: **T68N303**

DRW:	Jason	CHKD	Wilson	MATL:	Wilson	TOLERANCE	Mason	DATE	02.04.2009	Customer:
APPD:	Schumi			FINISH	Jamy		Sheet No.	4 from 4		