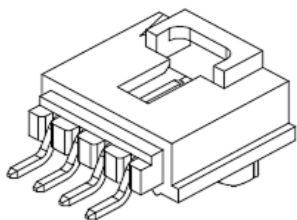


EDCON-COMPONENTS

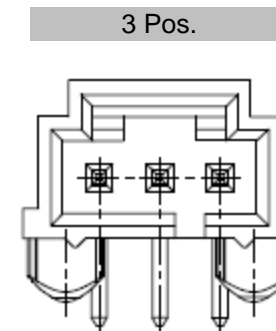
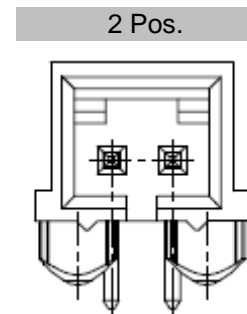
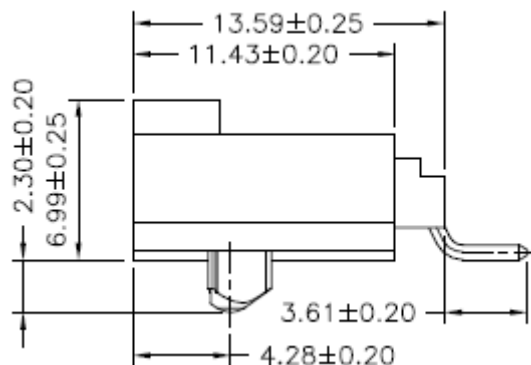


Specifications

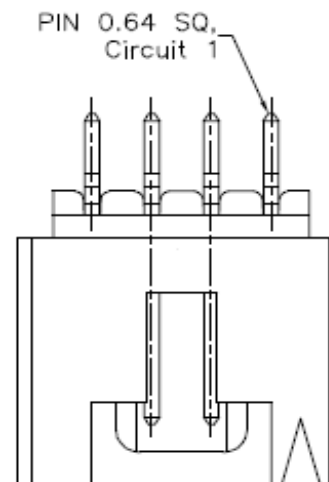
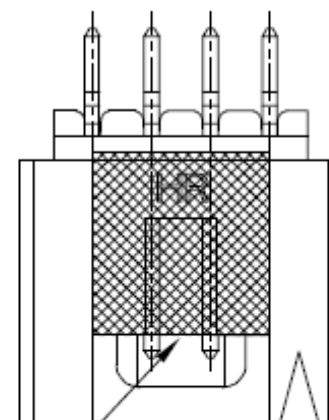
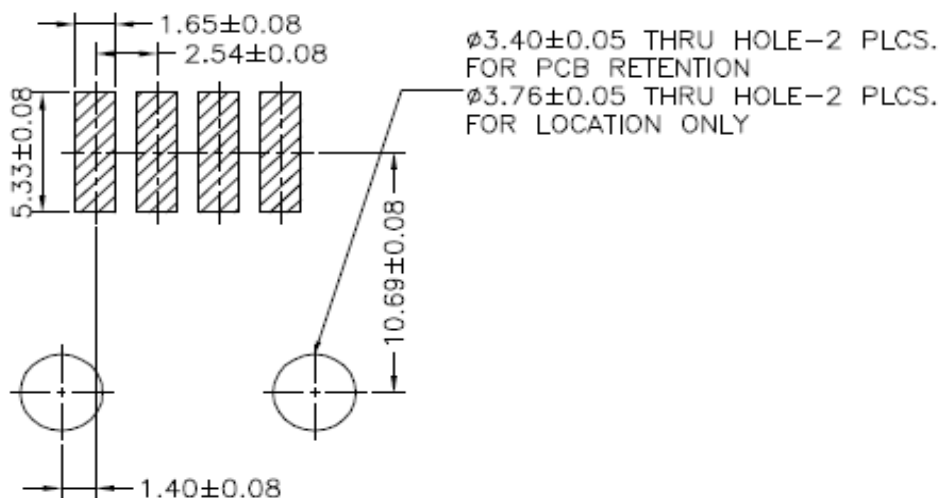
Voltage Rating: 250 V AC/DC
 Current Rating: 3A AC/DC
 Operating Temperature: -25°C to + 85°C
 Contact Resistance: 20 mΩ
 Withstanding Voltage: 1500 V AC/Minute
 Insulation Resistance: 1000MΩ min.
 Material Housing: PBT30% GF / UL94V-0

Pin-Material: Brass / Gold-flash
 Color of Base: Natural (Black)

Drawing (dimensions all into mm)



P.C.B. Layout

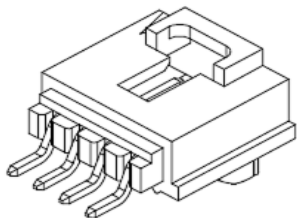


Wafer Serie T68Nxxxx Pitch 2,54mm

Part No.: **T68N301**

DRW:	Jason	CHKD	Wilson	MATL:	Wilson	TOLERANCE	Mason	DATE	02.04.2009
APPD:	Schumi			FINISH	Jamy		Sheet No.	1 from 4	Customer:

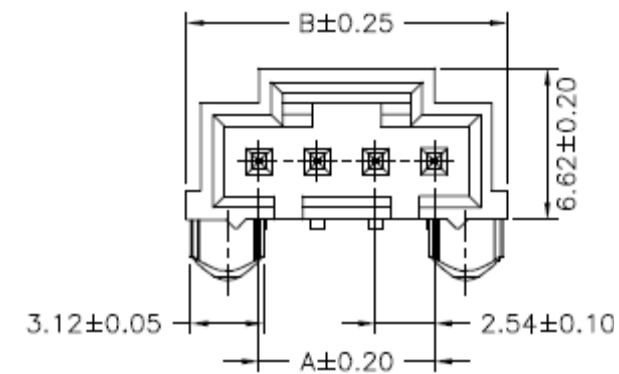
EDCON-COMPONENTS



Dimension Information about Housing

Pos.	Dimension (mm)					
	A	B	C	D	E	F
2	2,54	8,89				
3	5,08	11,43				
4	7,62	13,97				
5	10,16	16,51				
6	12,70	18,05				
7	15,24	21,59				
8	17,78	24,13				
9	20,32	26,67				
10	22,86	29,21				
11	25,40	31,75				
12	27,94	34,29				

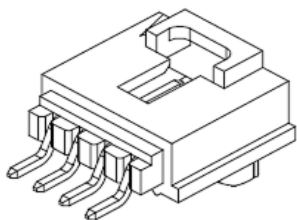
Pos.	Dimension (mm)					
	A	B	C	D	E	F



Wafer Serie T68Nxxxx Pitch 2,54mm
Part No.: **T68N301**
Customer:

DRW: Jason	CHKD: Wilson	MATL: Wilson	TOLERANCE: Mason	DATE: 02.04.2009
APPD: Schumi		FINISH: Jamy	Sheet No.	2 from 4

EDCON-COMPONENTS



Ordering Informations

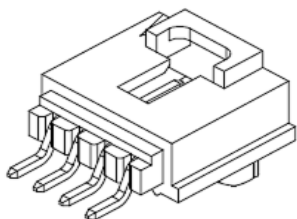
Serie	Number of Pos.	Contact Plating	Color of Body	Packing						
-------	----------------	-----------------	---------------	---------	--	--	--	--	--	--

T68N301	02	GF	BK	TR						
----------------	-----------	-----------	-----------	-----------	--	--	--	--	--	--

xx = Pos.	GF= Gold Flash (standard)	BK= Black	TR= Tape / Reel							
	Gx = Other Contact Plating on request		BU= Bulk-Ware							

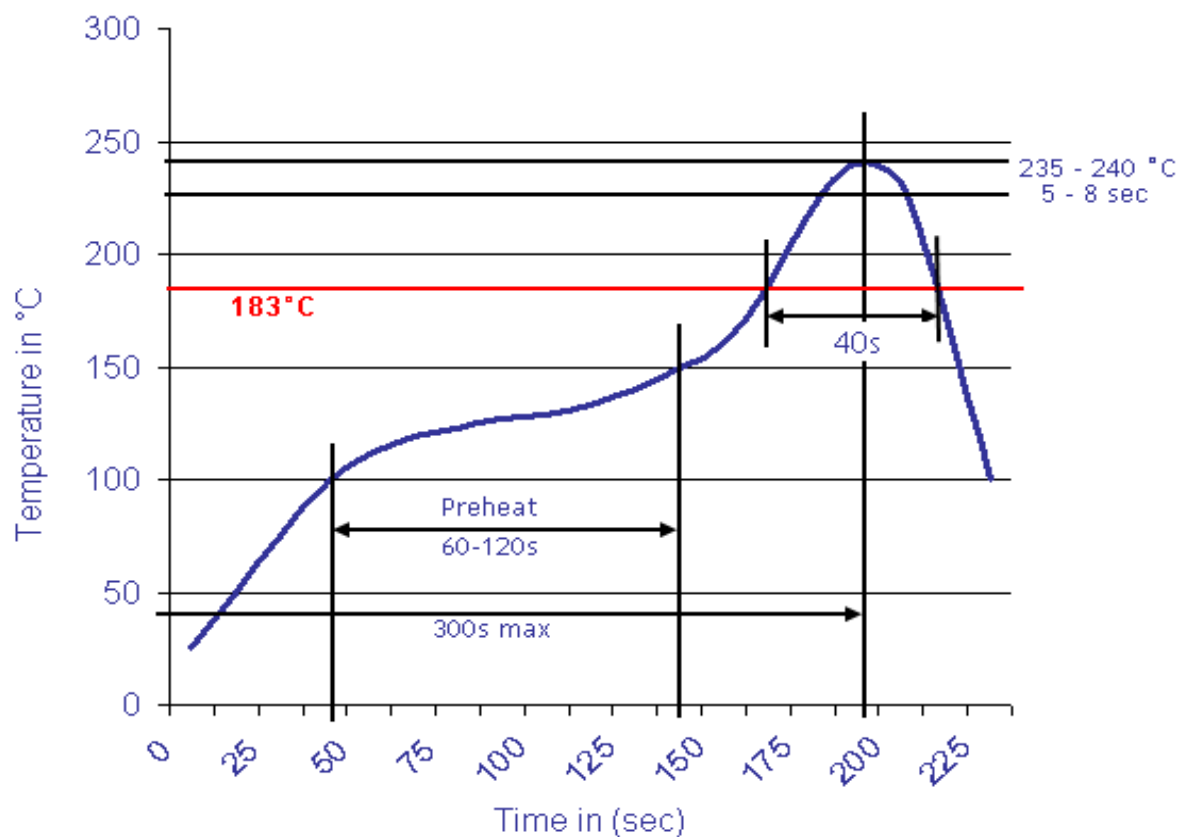
Wafer Serie T68Nxxxx Pitch 2,54mm
Part No.: T68N301
Customer:

DRW:	Jason	CHKD	Wilson	MATL:	Wilson	TOLERANCE	Mason	DATE	02.04.2009
APPD:	Schumi			FINISH	Jamy		Sheet No.		3 from 4



Soldering Profile Curve

Classification Reflow Profile (JEDEC J-STD-020C)



Wafer Serie T68Nxxxx Pitch
2,54mm

Part No.: **T68N301**

DRW:	Jason	CHKD	Wilson	MATL:	Wilson	TOLERANCE	Mason	DATE	02.04.2009	Customer:
APPD:	Schumi			FINISH	Jamy		Sheet No.	4 from 4		