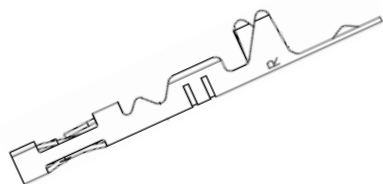


EDCON-COMPONENTS

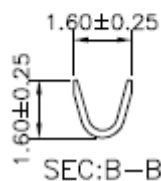
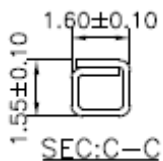
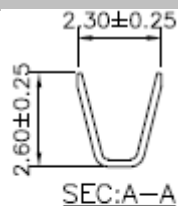
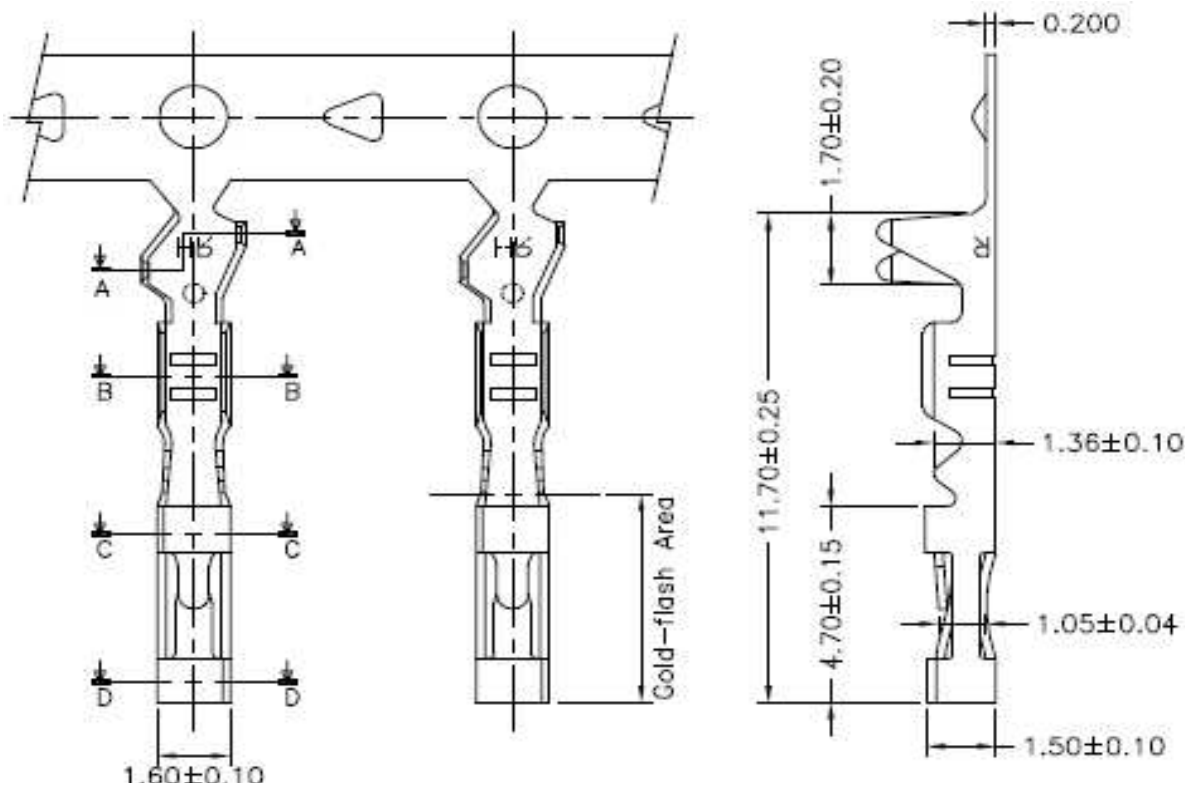


Specifications

Voltage Rating: 250VAC / DC
 Current Rating: 2,5AC / DC
 Operating Temperature: -25°C ~ +95°C
 Contact Resistance: 20mΩ Max.

Material Pin: Brass / Tin-Plated
 Wire Dimension: AWG 22~26
 Material Pin: Phosphor Bronze / Tin Plated
 Wire Dimension: AWG 22~26
 Insulation D: 1,70mm (max)

Drawing (dimensions all into mm)



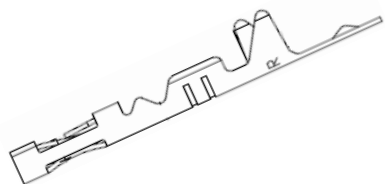
**Female Contact Wire to Board
 Serie T68N042 Pitch 2,54mm**

Part No.: **T68N043**

DRW:	Jason	CHKD	Wilson	MATL:	Wilson	TOLERANCE	Mason	DATE	02.04.2009
APPD:	Schumi			FINISH	Jamy		Sheet No.		1 from 2

Customer:

EDCON-COMPONENTS



Ordering Informations

Serie	Number of	Material	C- Plating	ROHS	Packing				
T68N043	F	BR	TN	R	TR103				

F = Female Terminal	BR= Brass	TN= TIN Plated Standard	R= ROHS Conform	TR103= Tape Reel 10000PCS
		GF= Gold Flash / Tin	N= NON ROHS Conform	
		GA= 3µ Gold		
		GB= 5µ Gold		
		GC= 10µ Gold		
		GD= 15µ Gold		
		GE= 30µ Gold		
		SA= 3µ Sel. Gold		
		GB= 5µ Sel. Gold		
		GC= 10µ Sel. Gold		
		GD= 15µ Sel. Gold	GE= 30µ Sel. Gold	

Female Contact Wire to Board Serie T68N042 Pitch 2,54mm
Part No.: **T68N043**

DRW:	Jason	CHKD	Wilson	MATL:	Wilson	TOLERANCE	Mason	DATE	02.04.2009	Customer:
APPD:	Schumi			FINISH	Jamy		Sheet No.		2 from 2	