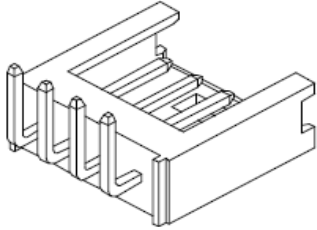


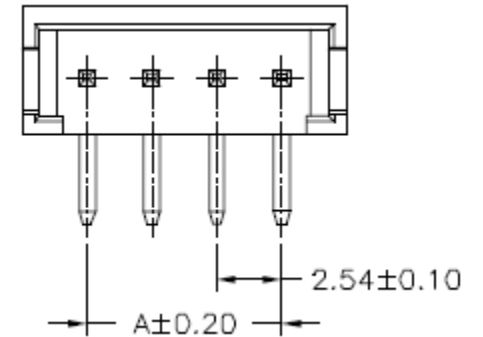
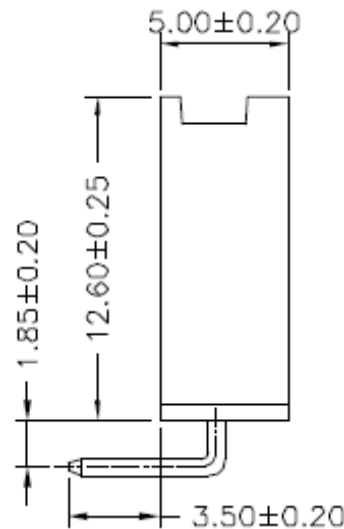
EDCON-COMPONENTS



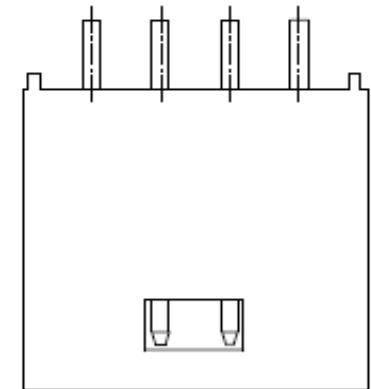
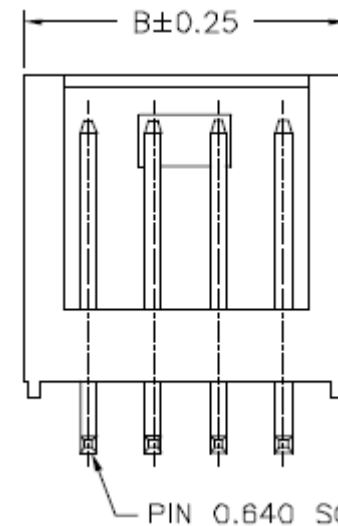
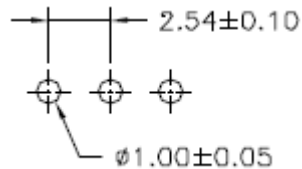
Specifications

Voltage Rating:	250 V AC/DC
Current Rating:	3A AC/DC
Operating Temperature:	-25°C to + 85°C
Contact Resistance:	20 mΩ
Withstanding Voltage:	1000 V AC/Minute
Insulation Resistance:	1000MΩ min.
Material Housing:	PBT / UL94V-0
Pin-Material:	Brass /Tin-plated
Color of Body:	Natural / Black

Drawing (dimensions all into mm)



P.C.B. Layout



Wafer Serie T68N032 Pitch
2,54mm

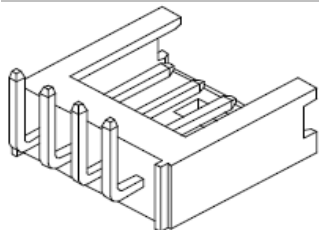
Part No.: **T68N032**

Customer:

DRW:	Jason	CHKD	Wilson	MATL:	Wilson	TOLERANCE	Mason	DATE	24.09.2013
APPD:	Schumi			FINISH	Jamy		Sheet No.		1 from 4

www.edcon-components.com

email: info@edcon-components.com



Dimension Information about Housing

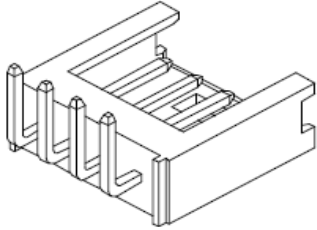
Pos.	Dimension (mm)					
	A	B	C	D	E	F
2	2,54	7,62				
3	5,08	10,16				
4	7,62	12,70				
5	10,16	15,24				
6	12,70	17,78				
7	15,24	20,32				
8	17,78	22,86				
9	20,32	25,40				
10	22,86	27,94				
11	25,40	30,48				
12	27,94	33,02				
13	30,48	35,56				
14	33,02	38,10				
15	35,56	40,64				
16	38,10	43,18				
17	40,64	45,72				
18	43,18	48,26				
19	45,72	50,80				
20	48,26	53,34				
21	50,80	55,88				
22	53,34	58,42				

Pos.	Dimension (mm)					
	A	B	C	D	E	F

Wafer Serie T68N032 Pitch 2,54mm	
Part No.:	T68N032
Customer:	

DRW:	Jason	CHKD	Wilson	MATL:	Wilson	TOLERANCE	Mason	DATE	24.09.2013
APPD:	Schumi			FINISH	Jamy		Sheet No.		2 from 4

EDCON-COMPONENTS



Ordering Informations

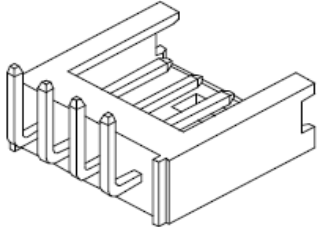
Serie	Number of Pos.	Leg function	Color of Body	Rohs Conform	Packing					
T68N032	02	N	BK	R	BU					
xx = Pos.	N= without King	BK= Black	R= Rohs conform	BU= Bulk-ware						

Wafer Serie T68N032 Pitch
2,54mm

Part No.: **T68N032**

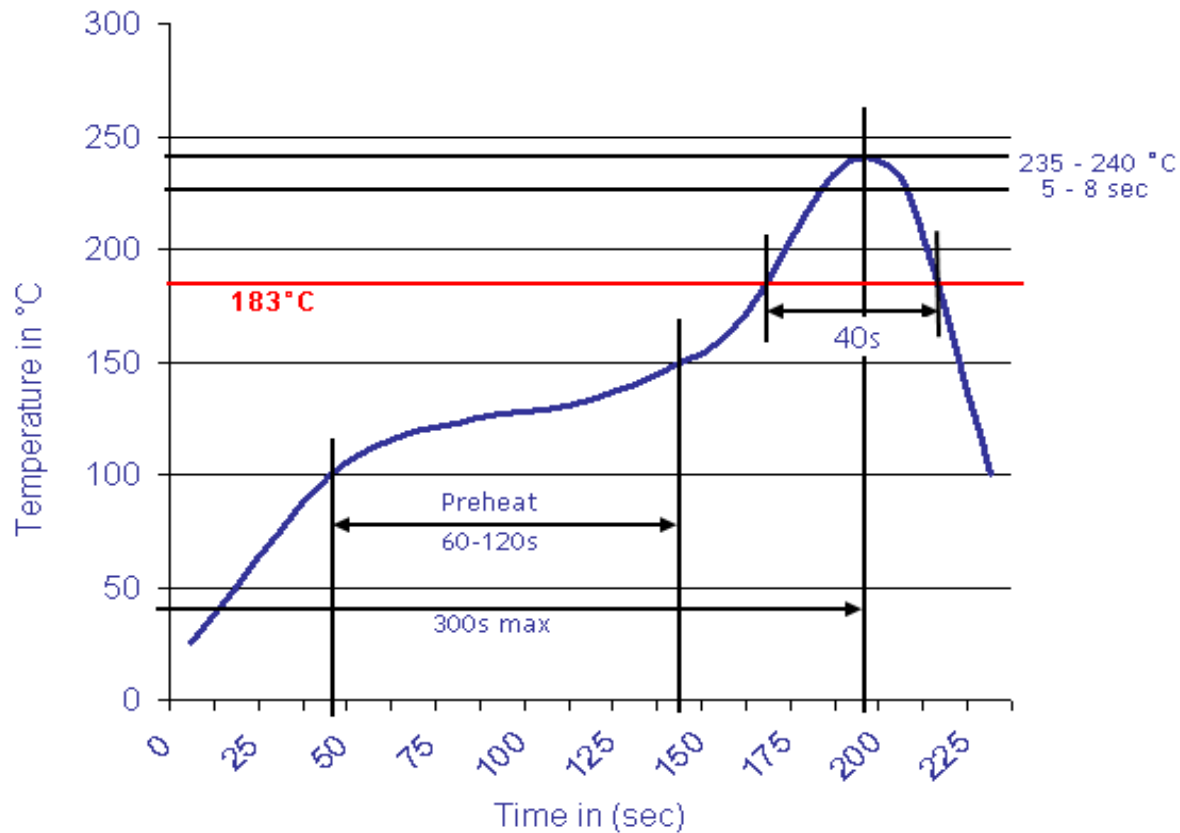
DRW:	Jason	CHKD	Wilson	MATL:	Wilson	TOLERANCE	Mason	DATE	24.09.2013
APPD:	Schumi			FINISH	Jamy		Sheet No.		3 from 4

Customer:



Soldering Profile Curve

Classification Reflow Profile (JEDEC J-STD-020C)



Wafer Serie T68N032 Pitch
2,54mm

Part No.: **T68N032**

DRW:	Jason	CHKD	Wilson	MATL:	Wilson	TOLERANCE	Mason	DATE	24.09.2013
APPD:	Schumi			FINISH	Jamy		Sheet No.	4 from 4	

Customer: