

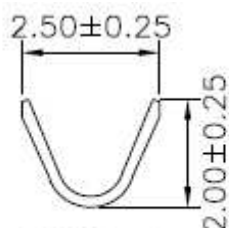
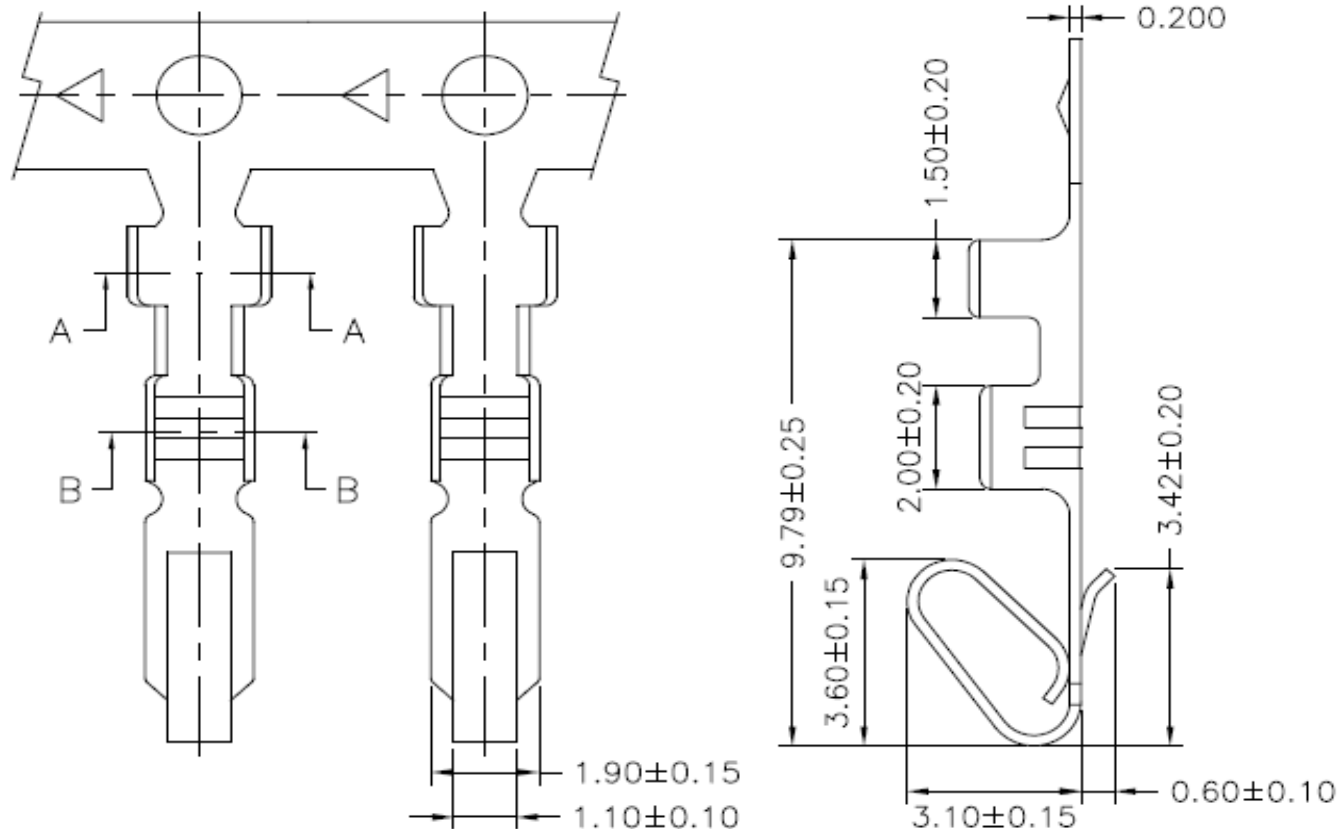
EDCON-COMPONENTS



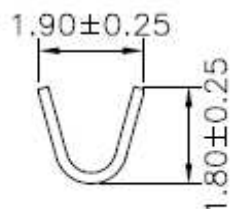
Specifications

Voltage Rating:	250V AC,DC
Current Rating	4A AC/DC
Operating Temperature	-25°C ~ + 85°C
Contact Resistance	10 milli Ohm max.
Withstanding Voltage	1000V AC/minute
Insulation Resistance	1000 M Ohm min.
Material Pin:	Phosphor Bronze
Contact Plating:	Tin plated / Gold Flash Plated

Drawing (dimensions all into mm)



SEC:A-A



SEC:B-B

Terminal T68Nxxx Pitch 2,54mm	
Part No.:	T68N029
Customer:	

DRW:	Jason	CHKD	Wilson	MATL:	Wilson	TOLERANCE	Mason	DATE	02.04.2009
APPD:	Schumi			FINISH	Jamy		Sheet No.	1 from 2	

EDCON-COMPONENTS



Ordering Informations

Serie	Contact	Wire Size	Packing						
T68N029	T	30	TR103						

T= Tin	30 = AWG 24~ 30	TR103= Tape/Reel 10000PCS							
G= Flash Gold									

Terminal T68Nxxx Pitch 2,54mm	
Part No.:	T68N029
Customer:	

DRW:	Jason	CHKD	Wilson	MATL:	Wilson	TOLERANCE	Mason	DATE	02.04.2009
APPD:	Schumi			FINISH	Jamy		Sheet No.	2 from 2	

www.edcon-components.com

email: info@edcon-components.com