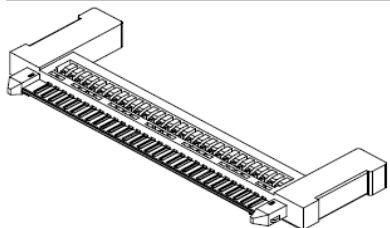


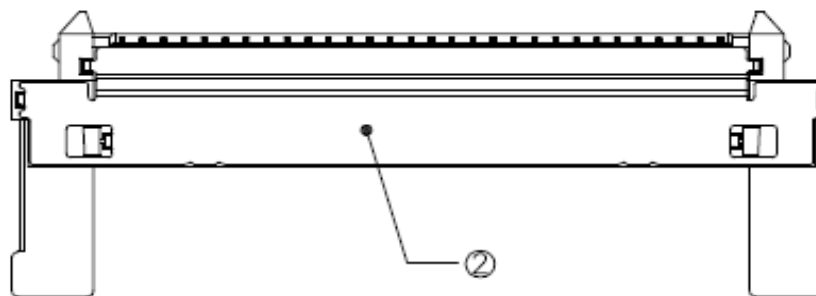
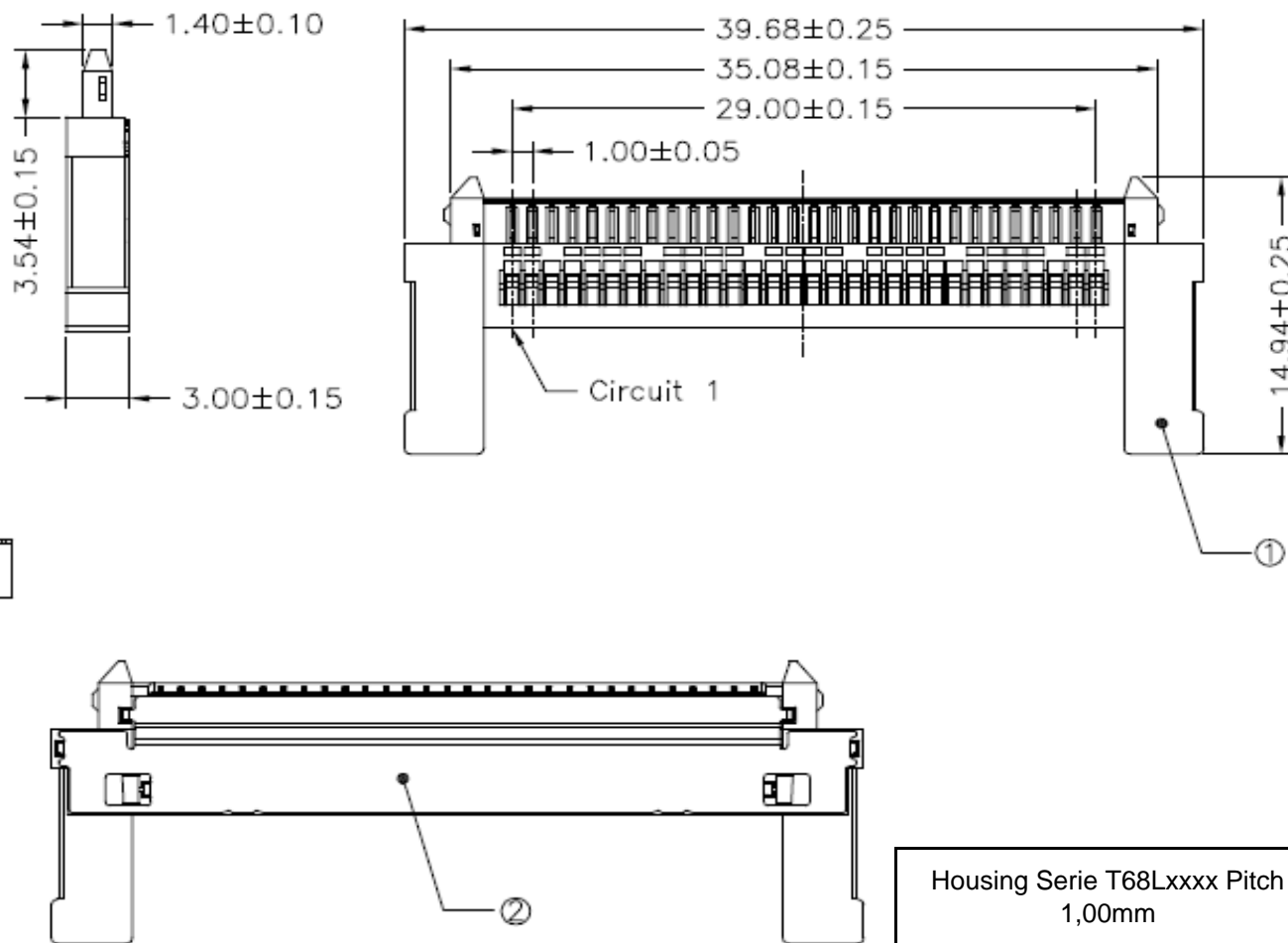
EDCON-COMPONENTS



Specifications

Voltage Rating:	200 V AC/DC
Current Rating:	1A AC/DC
Operating Temperature:	-25°C to +85°C
Contact Resistance:	40 mΩ
Withstanding Voltage:	500 V AC/Minute
Insulation Resistance:	100MΩ min.
Material Housing:	Nylon 46 / UL94V-0
Body Color	Natural (Black)
Ground Plate	Stainless
Lock Lever	Stainless

Drawing (dimensions all into mm)



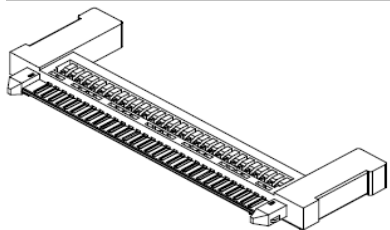
Housing Serie T68Lxxxx Pitch 1,00mm	
Part No.:	T68L033
Customer:	

DRW:	Jason	CHKD	Wilson	MATL:	Wilson	TOLERANCE	Mason	DATE	02.04.2009
APPD:	Schumi			FINISH	Jamy		Sheet No.	1 from 3	

www.edcon-components.com

email: info@edcon-components.com

EDCON-COMPONENTS



Ordering Informations

Serie	Number of Pos.	Color of Body	Packing							
-------	----------------	---------------	---------	--	--	--	--	--	--	--

T68L033	30	BK	TY							
----------------	-----------	-----------	-----------	--	--	--	--	--	--	--

xx = Pos.	BK= Black	TY= Tray Packing								

Housing Serie T68Lxxxx Pitch 1,00mm
Part No.: T68L033
Customer:

DRW:	Jason	CHKD	Wilson	MATL:	Wilson	TOLERANCE	Mason	DATE	02.04.2009
APPD:	Schumi			FINISH	Jamy		Sheet No.		3 from 3

www.edcon-components.com

email: info@edcon-components.com