

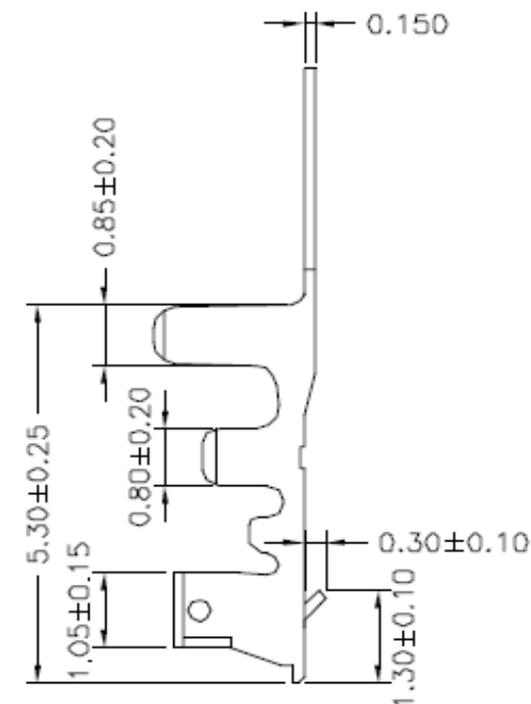
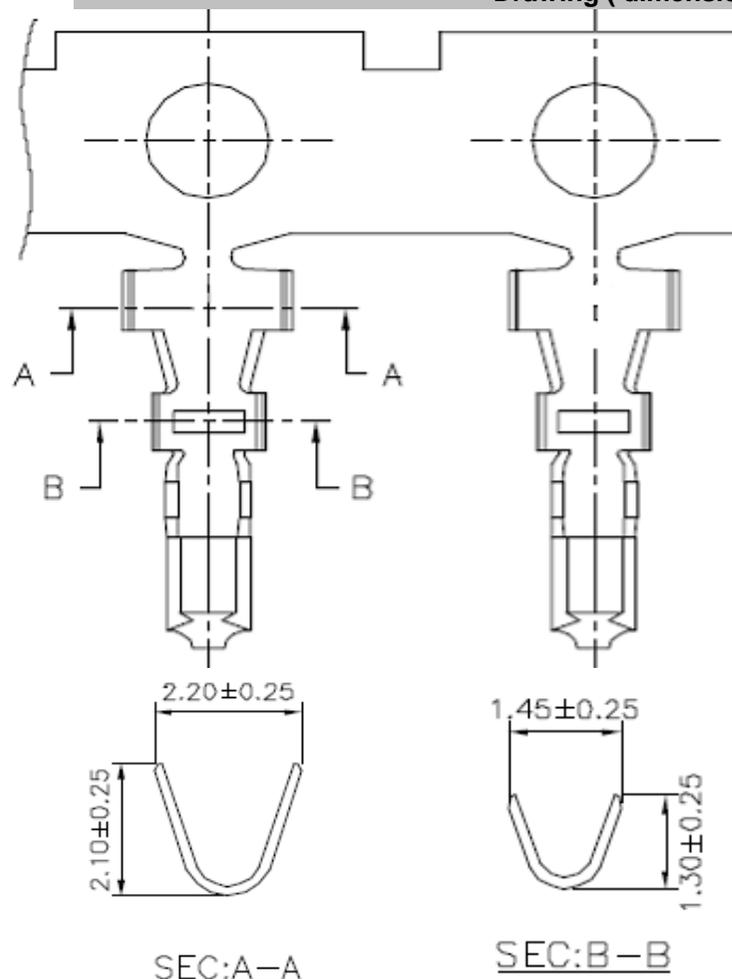
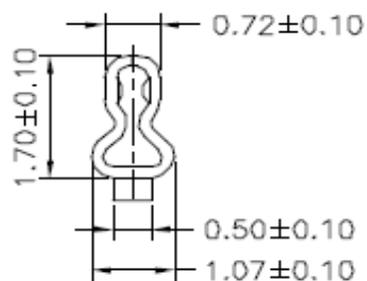
EDCON-COMPONENTS



Specifications

Voltage Rating:	125V AC,DC
Current Rating	1A AC/DC
Operating Temperature	-25°C ~ + 85°C
Contact Resistance	20 milli Ohm max.
Withstanding Voltage	500V AC/minute
Insulation Resistance	500 M Ohm min.
Material Pin:	Phosphor Bronze
Contact Plating:	Tin plated / Gold Flash Plated

Drawing (dimensions all into mm)



**Terminal T68Kxxx Pitch
1,25mm**

Part No.: **T68K017**

Customer:

DRW:	Jason	CHKD	Wilson	MATL:	Wilson	TOLERANCE	Mason	DATE	02.04.2009
APPD:	Schumi			FINISH	Jamy		Sheet No.		1 from 2

EDCON-COMPONENTS



Ordering Informations

Serie	Contact	Wire Size	Packing						
T68K017	T	28	TR103						

T= Tin	28 = AWG 24~ 28	TR103= Tape/Reel 10000PCS							

Terminal T68Kxxx Pitch 1,25mm	
Part No.:	T68K017
Customer:	

DRW:	Jason	CHKD	Wilson	MATL:	Wilson	TOLERANCE	Mason	DATE	02.04.2009
APPD:	Schumi			FINISH	Jamy		Sheet No.		2 from 2

www.edcon-components.com

email: info@edcon-components.com