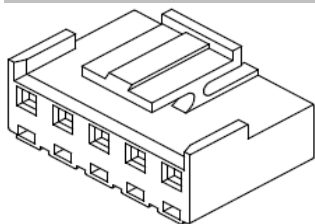


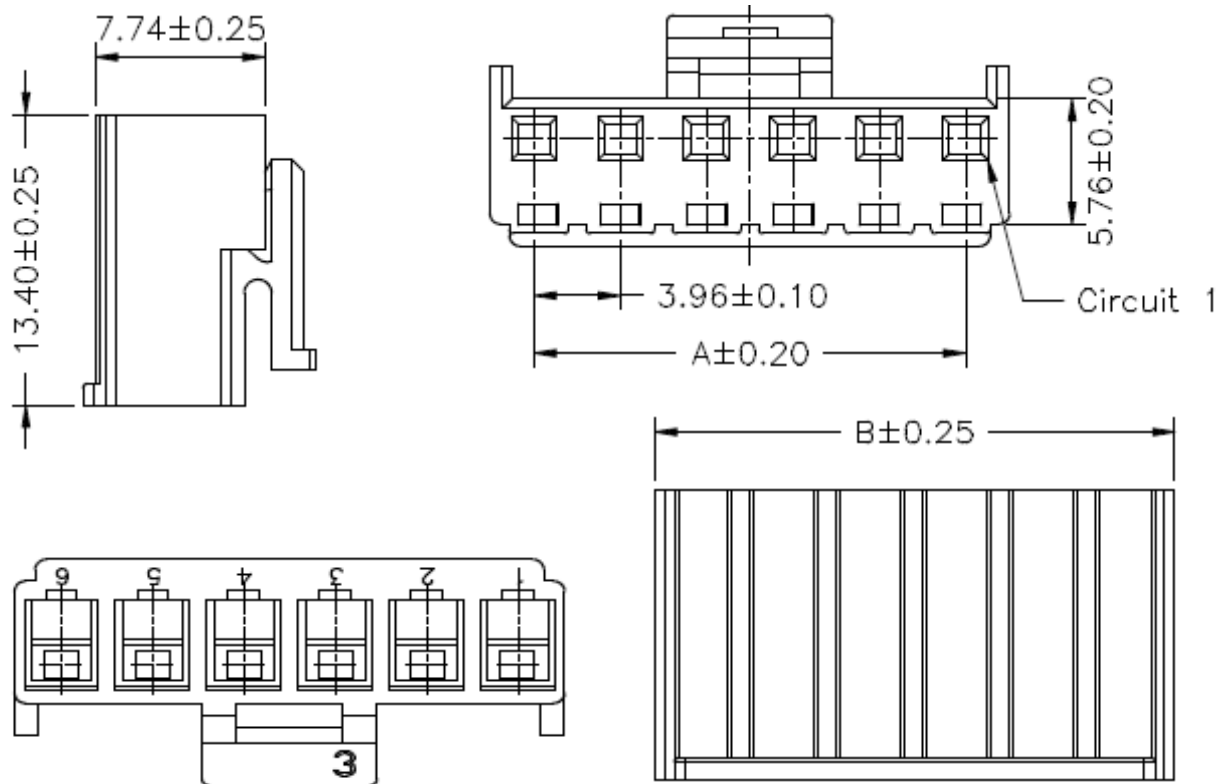
EDCON-COMPONENTS



Specifications

Voltage Rating:	250 V AC/DC
Current Rating:	7A AC/DC
Operating Temperature:	-25°C to +85°C
Contact Resistance:	10 mΩ
Withstanding Voltage:	1500 V AC/Minute
Insulation Resistance:	1000MΩ min.
Material Housing:	Nylon 66 / UL94V-0
Color:	Natural / (White)

Drawing (dimensions all into mm)



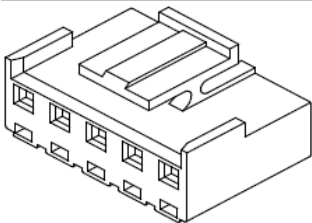
**Housing Serie T68Jxxx Pitch
3,96mm**

Part No.: **T68J300**

DRW:	Jason	CHKD	Wilson	MATL:	Wilson	TOLERANCE	Mason	DATE	02.04.2009
APPD:	Schumi			FINISH	Jamy		Sheet No.		1 from 3

Customer:

EDCON-COMPONENTS



Dimension Information about Housing

Dimension (mm)						
Pos.	A	B	C	D	E	F
2	3,96	8,02				
3	7,92	11,98				
4	11,88	15,94				
5	15,84	19,90				
6	19,80	23,86				
7	23,76	27,82				
8	27,72	31,78				
9	31,68	35,74				
10	35,64	39,70				
11	39,60	43,66				
12	43,56	47,62				
13	47,52	51,58				
14	51,48	55,54				
15	55,44	59,50				

Dimension (mm)						
Pos.	A	B	C	D	E	F

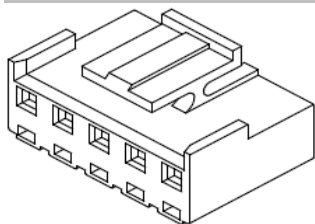
**Housing Serie T68Jxxx Pitch
3,96mm**

Part No.: **T68J300**

Customer:

DRW:	Jason	CHKD	Wilson	MATL:	Wilson	TOLERANCE	Mason	DATE	02.04.2009
APPD:	Schumi			FINISH	Jamy		Sheet No.	2 from 3	

EDCON-COMPONENTS



Ordering Informations

Serie	Number of Pos.	Color of Body	Packing							
T68J300	02	WH	BU							
xx = Pos.	WH= White	BU= Bulk Packing								

Housing Serie T68Jxxx Pitch 3,96mm
Part No.: T68J300
Customer:

DRW:	Jason	CHKD	Wilson	MATL:	Wilson	TOLERANCE	Mason	DATE	02.04.2009
APPD:	Schumi			FINISH	Jamy		Sheet No.	3 from 3	

www.edcon-components.com

email: info@edcon-components.com