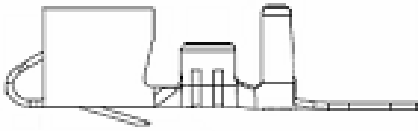


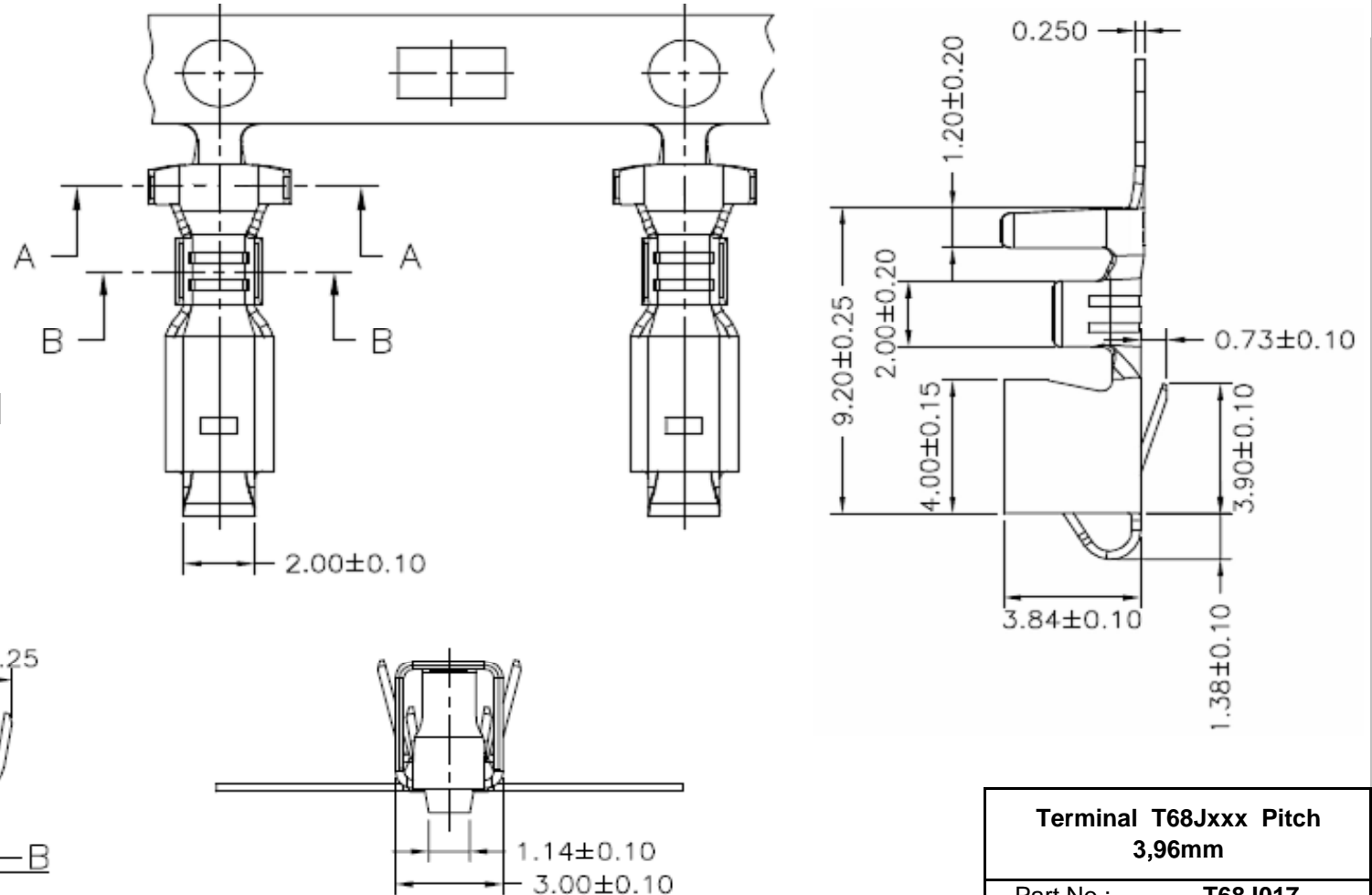
EDCON-COMPONENTS



Specifications

| | |
|-----------------------|--------------------------|
| Voltage Rating: | 125V AC,DC |
| Current Rating | 7,5A AC/DC |
| Operating Temperature | . -25°C ~ + 85°C |
| Contact Resistance | 20 milli Ohm max. |
| Withstanding Voltage | 500V AC/minute |
| Insulation Resistance | 500 M Ohm min. |
| Material Pin: | Phosphor Bronze Brass |
| Contact Plating: | Tin plated |

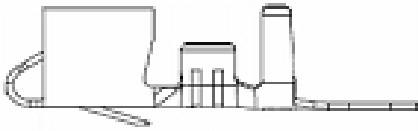
Drawing (dimensions all into mm)



| | |
|--|-----------------|
| Terminal T68Jxxx Pitch 3,96mm | |
| Part No.: | T68J017- |
| Customer: | |

| | | | | | | | | | |
|-------|--------|------|--------|--------|--------|-----------|-----------|------|------------|
| DRW: | Jason | CHKD | Wilson | MATL: | Wilson | TOLERANCE | Mason | DATE | 05.07.2019 |
| APPD: | Schumi | | | FINISH | Jamy | | Sheet No. | | 1 from 2 |

EDCON-COMPONENTS



Ordering Informations

| Serie | C- Material | Wire Size | Packing | | | | | | |
|-----------------|-------------|-----------|--------------|--|--|--|--|--|--|
| T68J017- | BR | 22 | TR153 | | | | | | |

| | | |
|----------------------------------|---------------------------|--|
| BR= Brass | 22 = AWG 18~ 22 | TR153= Tape/Reel 15000PCS |
| PB= Phosphor Bronze | | |

| |
|--|
| Terminal T68Jxxx Pitch 3,96mm |
| Part No.: T68J017- |
| Customer: |

| | | | | | | | | | |
|-------|--------|------|--------|--------|--------|-----------|-----------|----------|------------|
| DRW: | Jason | CHKD | Wilson | MATL: | Wilson | TOLERANCE | Mason | DATE | 05.07.2019 |
| APPD: | Schumi | | | FINISH | Jamy | | Sheet No. | 2 from 2 | |