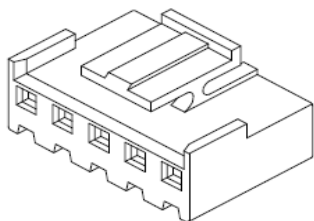


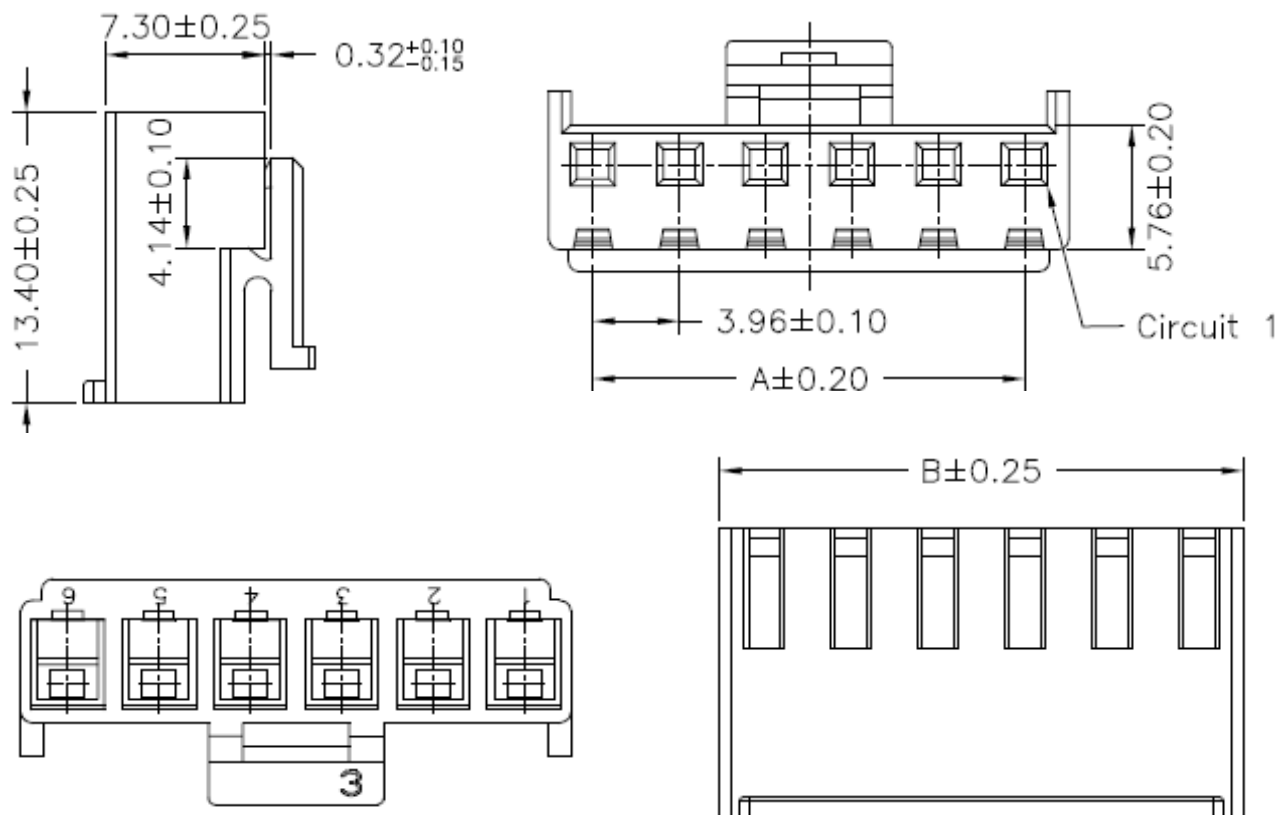
# EDCON-COMPONENTS



## Specifications

Voltage Rating:	250 V AC/DC
Current Rating:	7A AC/DC
Operating Temperature:	-25°C to +85°C
Contact Resistance:	10 mΩ
Withstanding Voltage:	1500 V AC/Minute
Insulation Resistance:	1000MΩ min.
Material Housing:	Nylon 66 / UL94V-0
Color:	Natural / (White)

## Drawing ( dimensions all into mm)



**Housing Serie T68Jxxx Pitch 3,96mm**

Part No.: **T68J016**

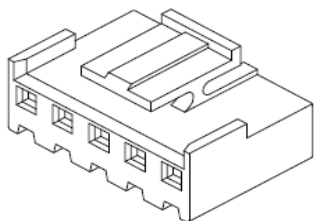
DRW:	Jason	CHKD	Wilson	MATL:	Wilson	TOLERANCE	Mason	DATE	02.04.2009
APPD:	Schumi			FINISH	Jamy		Sheet No.	1 from 3	Customer:

[www.edcon-components.com](http://www.edcon-components.com)

email: [info@edcon-components.com](mailto:info@edcon-components.com)



# EDCON-COMPONENTS



## Ordering Informations

Serie	Number of Pos.	Color of Body	Packing							
<b>T68J016</b>	<b>02</b>	<b>WH</b>	<b>BU</b>							
<b>xx = Pos.</b>	<b>WH= White</b>	<b>BU= Bulk Packing</b>								

<b>Housing Serie T68Jxxx Pitch 3,96mm</b>
Part No.: <b>T68J016</b>
Customer:

DRW:	Jason	CHKD	Wilson	MATL:	Wilson	TOLERANCE	Mason	DATE	02.04.2009
APPD:	Schumi			FINISH	Jamy		Sheet No.	3 from 3	

[www.edcon-components.com](http://www.edcon-components.com)

email: [info@edcon-components.com](mailto:info@edcon-components.com)