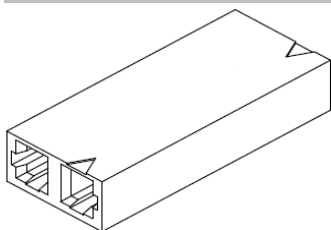


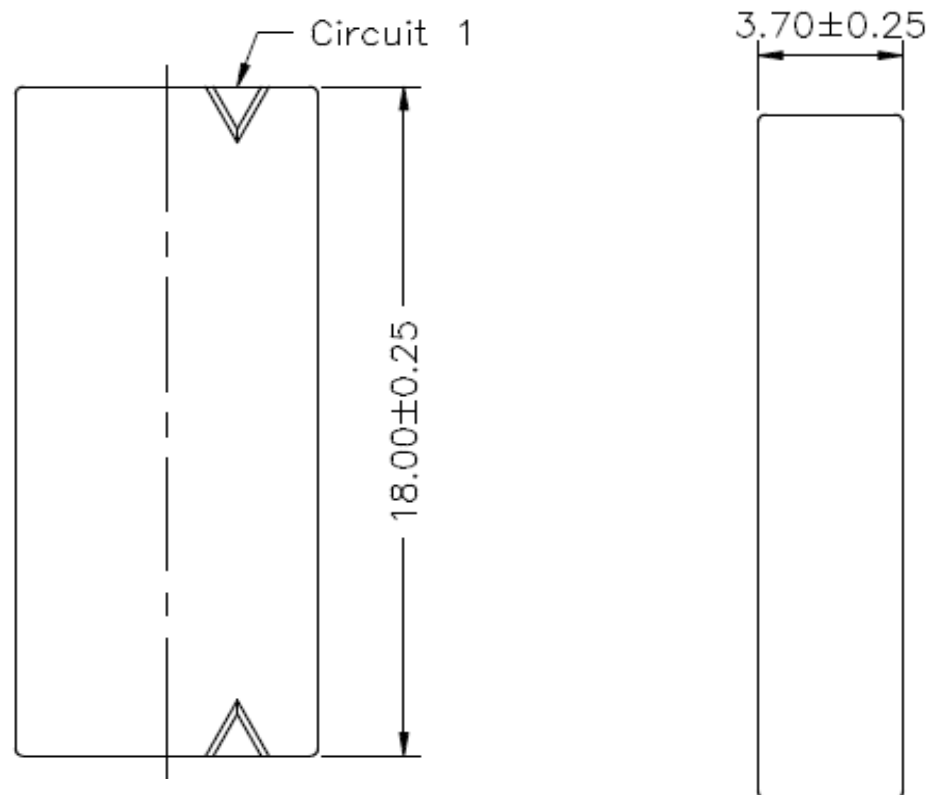
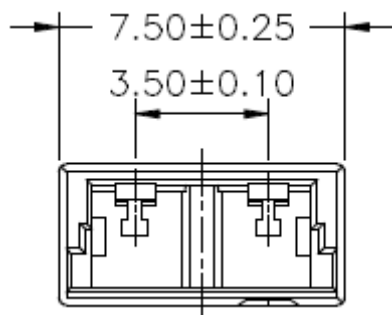
# EDCON-COMPONENTS



## Specifications

Voltage Rating:	1400 V AC/DC
Current Rating:	1A AC/DC
Operating Temperature:	-25°C to +85°C
Contact Resistance:	10 mΩ
Withstanding Voltage:	3800 V AC/Minute
Insulation Resistance:	1000MΩ min.
Material Housing:	Nylon 66 / UL94V-0
Body Color:	Natural (White)

## Drawing ( dimensions all into mm)

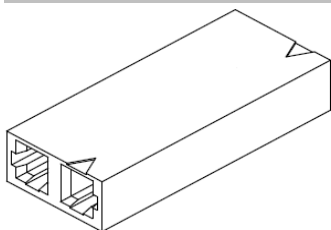


Housing Serie T68Hxxxx Pitch  
3,50mm

Part No.: **T68H301**

DRW:	Jason	CHKD	Wilson	MATL:	Wilson	TOLERANCE	Mason	DATE	02.04.2009	Customer:
APPD:	Schumi			FINISH	Jamy		Sheet No.	1 from 3		

# EDCON-COMPONENTS



## Dimension Information about Housing

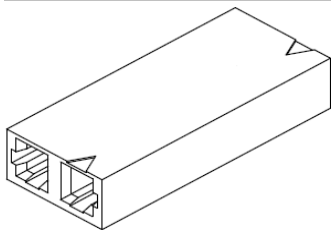
Pos.	Dimension (mm)					
	A	B	C	D	E	F

Pos.	Dimension (mm)					
	A	B	C	D	E	F

Housing Serie T68Hxxxx Pitch 3,50mm	
Part No.:	<b>T68H301</b>
Customer:	

DRW:	Jason	CHKD	Wilson	MATL:	Wilson	TOLERANCE	Mason	DATE	02.04.2009
APPD:	Schumi			FINISH	Jamy			Sheet No.	2 from 3

# EDCON-COMPONENTS



## Ordering Informations

Serie	Number of Pos.	Color of Body	Packing							
-------	----------------	---------------	---------	--	--	--	--	--	--	--

<b>T68H301</b>	<b>02</b>	<b>WH</b>	<b>BU</b>							
----------------	-----------	-----------	-----------	--	--	--	--	--	--	--

<b>xx = Pos.</b>	<b>WH= White</b>	<b>BU= Bulk Packing</b>								

Housing Serie T68Hxxxx Pitch 3,50mm

Part No.: **T68H301**

DRW:	Jason	CHKD	Wilson	MATL:	Wilson	TOLERANCE	Mason	DATE	02.04.2009
APPD:	Schumi			FINISH	Jamy			Sheet No.	3 from 3

Customer: