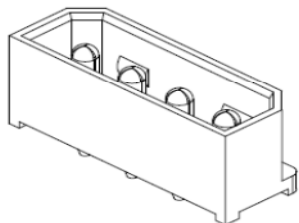


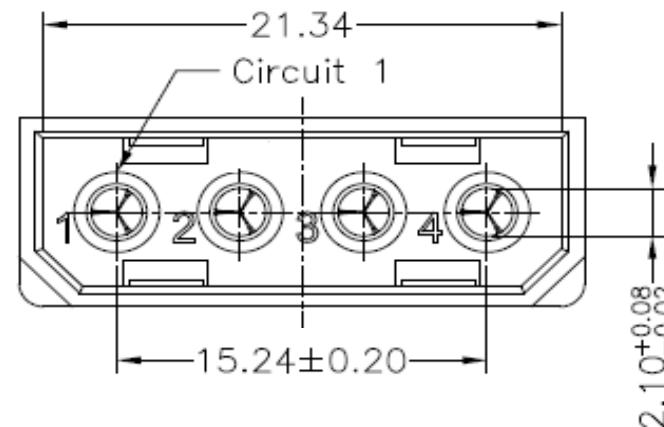
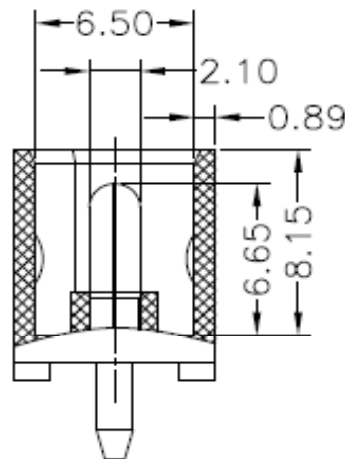
# EDCON-COMPONENTS



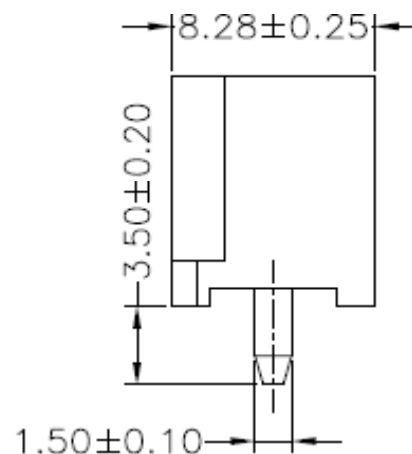
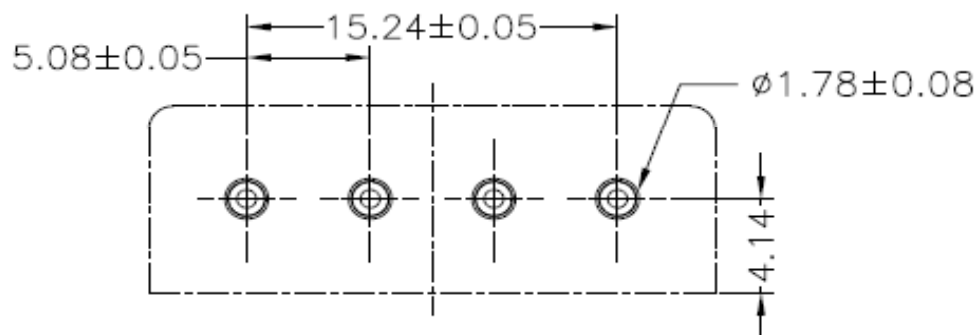
## Specifications

Voltage Rating:	250VAC / DC
Current Rating:	10A AC/DC
Operating Temperature:	-.25°C to + 85°C
Contact Resistance:	10mΩ Max.
Withstanding Voltage:	1500V AC/ Minute
Insulation Resistance:	1000MΩ min.
Terminal Material:	Phosphor Bronze
Contact Plating:	Tin-Plated

## Drawing ( dimensions all into mm)

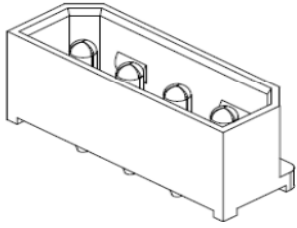


## PCB Layout

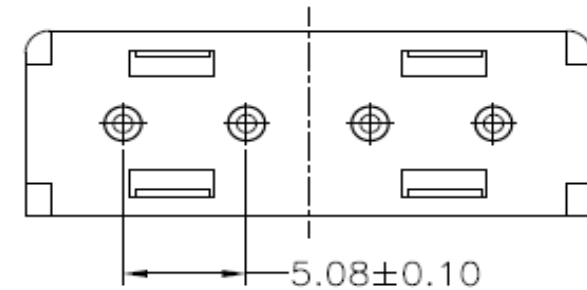
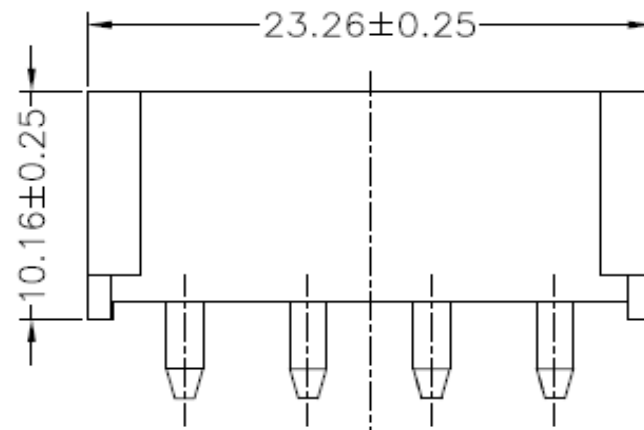
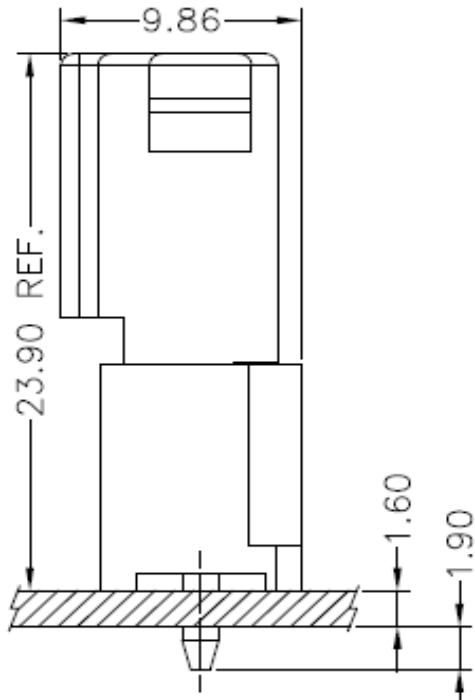


<b>Wafer Straight Pitch 5,08mm</b>	
Part No.:	<b>T68D011-</b>
Customer:	

DRW:	Jason	CHKD	Wilson	MATL:	Wilson	TOLERANCE	Mason	DATE	10.04.2017
APPD:	Schumi			FINISH	Jamy		Sheet No.		1 from 3



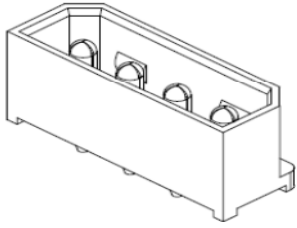
Drawing



<b>Wafer Straight Pitch 5,08mm</b>	
Part No.:	<b>T68D011-</b>
Customer:	

DRW:	Jason	CHKD	Wilson	MATL:	Wilson	TOLERANCE	Mason	DATE	10.04.2017
APPD:	Schumi			FINISH	Jamy		Sheet No.		2 from 3

# EDCON-COMPONENTS



## Ordering Informations

Serie	Number of Pos.	Special function	Material Colour	ROHS	Packing					
-------	----------------	------------------	-----------------	------	---------	--	--	--	--	--

<b>T68D011-</b>	<b>04</b>	<b>N</b>	<b>NA</b>	<b>R</b>	<b>BU</b>					
-----------------	-----------	----------	-----------	----------	-----------	--	--	--	--	--

<b>04 = 4 Pos.</b>	<b>N= No function</b>	<b>NA= Nature</b>	<b>R= ROHS Conform</b>	<b>BU= Bulk Packing</b>					
		<b>BK= Black</b>	<b>N= NON ROHS Conform</b>	<b>IV= Individual Packing</b>					

<b>Wafer Straight Pitch 5,08mm</b>
Part No.: <b>T68D011-</b>
Customer:

DRW:	Jason	CHKD	Wilson	MATL:	Wilson	TOLERANCE	Mason	DATE	10.04.2017
APPD:	Schumi			FINISH	Jamy		Sheet No.		3 from 3