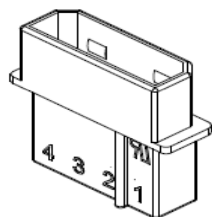


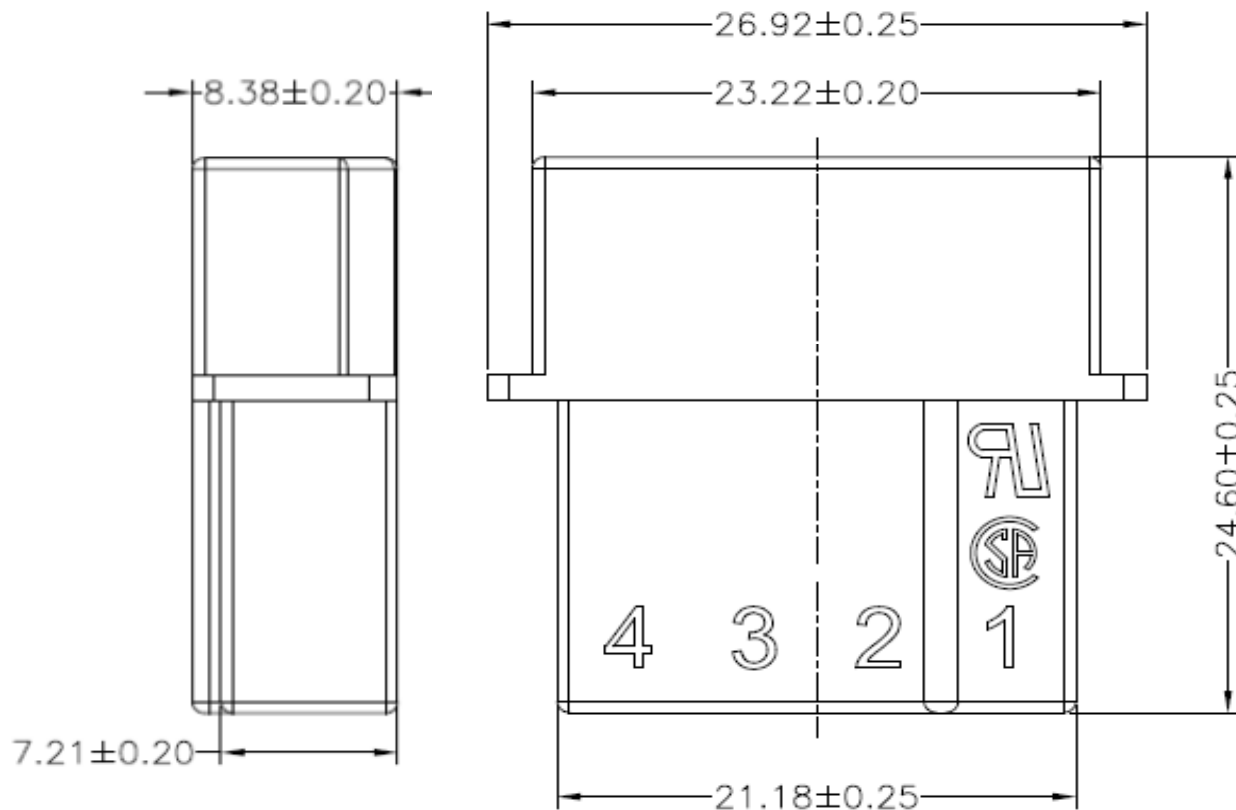
EDCON-COMPONENTS



Specifications

Voltage Rating:	250VAC / DC
Current Rating:	10A AC/DC
Operating Temperature:	-.25°C to + 85°C
Contact Resistance:	10mΩ Max.
Withstanding Voltage:	1500V AC/ Minute
Insulation Resistance:	1000MΩ min.

Drawing (dimensions all into mm)

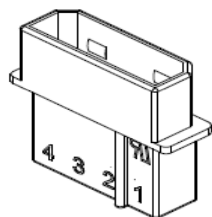


**Housing Plug Pitch
5,08mm**

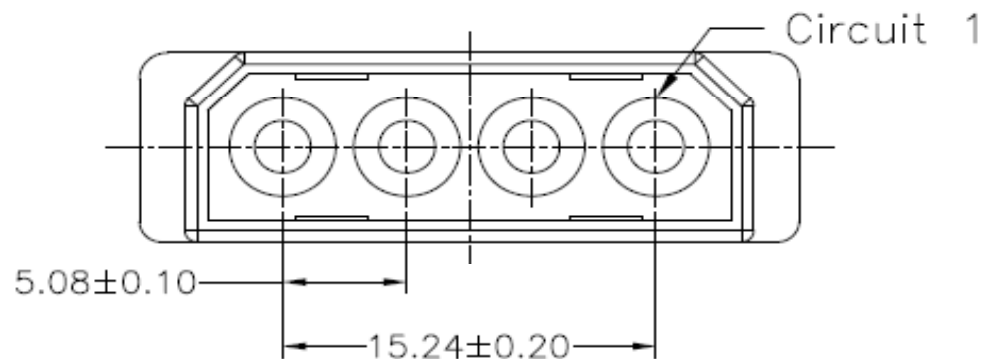
Part No.: **T68D008-**

Customer:

DRW:	Jason	CHKD	Wilson	MATL:	Wilson	TOLERANCE	Mason	DATE	10.04.2017
APPD:	Schumi			FINISH	Jamy		Sheet No.	1 from 3	



Drawing



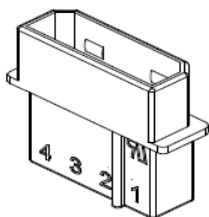
**Housing Plug Pitch
5,08mm**

Part No.: **T68D008-**

Customer:

DRW:	Jason	CHKD	Wilson	MATL:	Wilson	TOLERANCE	Mason	DATE	10.04.2017
APPD:	Schumi			FINISH	Jamy		Sheet No.	2 from 3	

EDCON-COMPONENTS



Ordering Informations

Serie	Number of Pos.	Special function	Material Colour	ROHS	Packing					
-------	----------------	------------------	-----------------	------	---------	--	--	--	--	--

T68D008-	04	N	NA	R	BU					
-----------------	-----------	----------	-----------	----------	-----------	--	--	--	--	--

04 = 4 Pos.	N= No Special function	NA= Nature	R= ROHS Conform	BU= Bulk Packing						
		BK= Black	N= NON ROHS Conform	IV= Individual Packing						

**Housing Plug Pitch
5,08mm**

Part No.: **T68D008-**

DRW:	Jason	CHKD	Wilson	MATL:	Wilson	TOLERANCE	Mason	DATE	10.04.2017
APPD:	Schumi			FINISH	Jamy		Sheet No.		3 from 3

Customer: