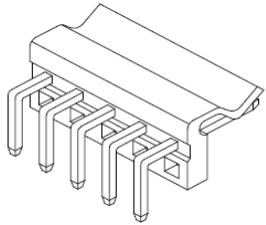


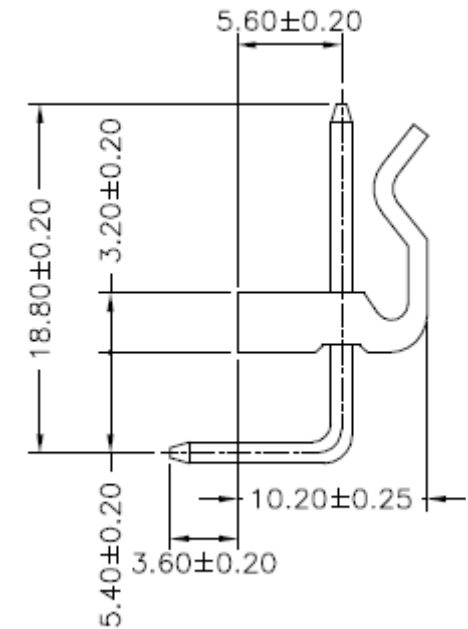
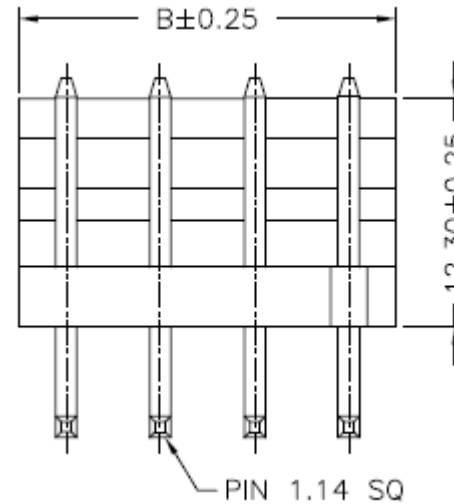
EDCON-COMPONENTS



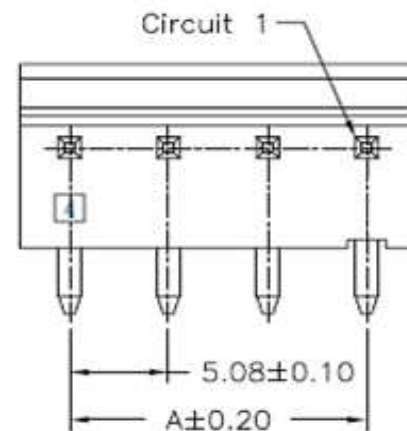
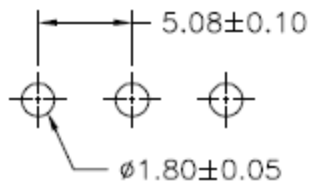
Specifications

Voltage Rating:	250 V AC/DC
Current Rating:	7A AC/DC
Operating Temperature:	-25°C to + 85°C
Contact Resistance:	10 mΩ
Withstanding Voltage:	1500 V AC/Minute
Insulation Resistance:	1000MΩ min.
Material Housing:	Nylon 66 / UL94V-2
Pin-Material:	Brass /Tin-plated
Body Color:	Natural / White

Drawing (dimensions all into mm)



P.C.B. Layout



Wafer Serie T68Dxxxx Pitch 5,08mm

Part No.: **T68D004**

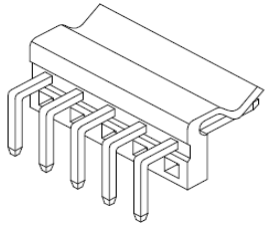
Customer:

DRW:	Jason	CHKD	Wilson	MATL:	Wilson	TOLERANCE	Mason	DATE	02.04.2009
APPD:	Schumi			FINISH	Jamy			Sheet No.	1 from 4

www.edcon-components.com

email: info@edcon-components.com

EDCON-COMPONENTS



Ordering Informations

Serie	Number of Pos.	Color of Body	Packing							
-------	----------------	---------------	---------	--	--	--	--	--	--	--

T68D004	02	NA	BU							
----------------	-----------	-----------	-----------	--	--	--	--	--	--	--

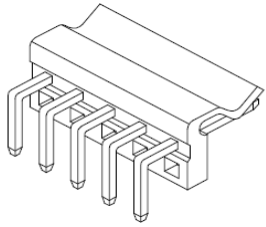
xx = Pos.	NA= Natural	BU= Bulk-ware								
	WH= White									

Wafer Serie T68Dxxxx Pitch 5,08mm	
Part No.:	T68D004
Customer:	

DRW:	Jason	CHKD	Wilson	MATL:	Wilson	TOLERANCE	Mason	DATE	02.04.2009
APPD:	Schumi			FINISH	Jamy		Sheet No.		3 from 4

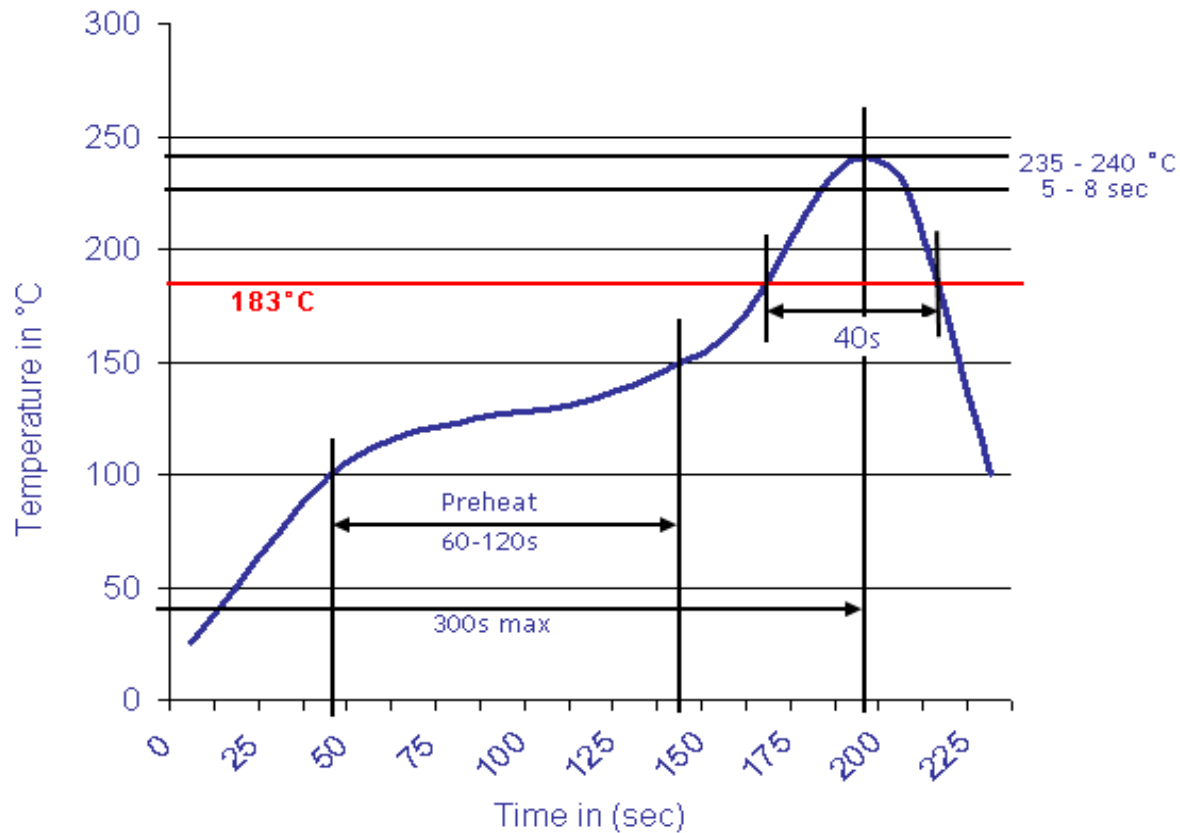
www.edcon-components.com

email: info@edcon-components.com



Soldering Profile Curve

Classification Reflow Profile (JEDEC J-STD-020C)



Wafer Serie T68Dxxxx Pitch 5,08mm
Part No.: T68D004
Customer:

DRW:	Jason	CHKD	Wilson	MATL:	Wilson	TOLERANCE	Mason	DATE	02.04.2009
APPD:	Schumi			FINISH	Jamy		Sheet No.	4 from 4	