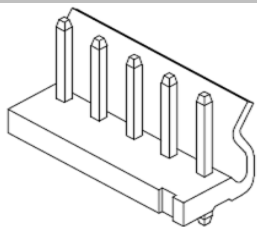


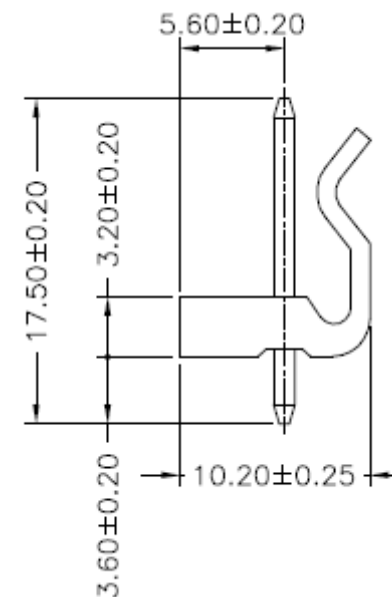
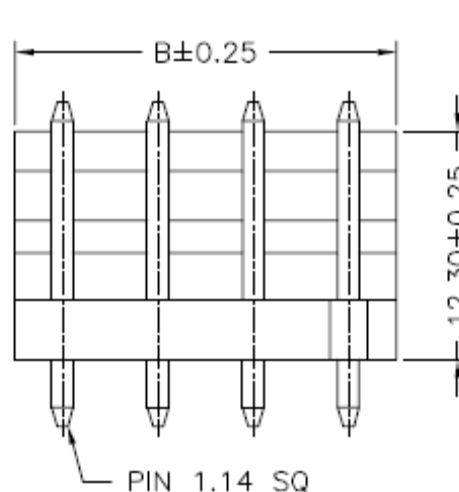
# EDCON-COMPONENTS



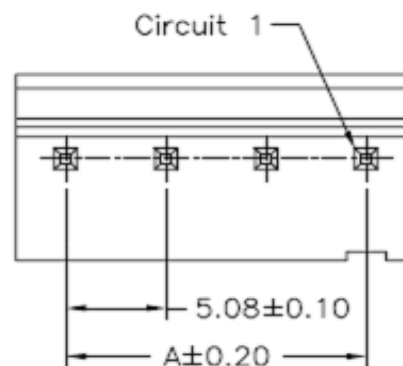
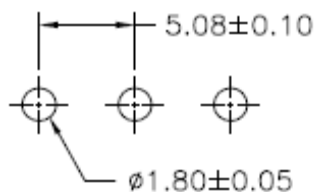
## Specifications

Voltage Rating:	250 V AC/DC
Current Rating:	7A AC/DC
Operating Temperature:	-25°C to +85°C
Contact Resistance:	10 mΩ
Withstanding Voltage:	1500 V AC/Minute
Insulation Resistance:	1000MΩ min.
Material Housing:	Nylon 66 / UL94V-2
Pin-Material:	Brass / Tin-plated
Body Color:	Natural / White

## Drawing ( dimensions all into mm)



## P.C.B. Layout

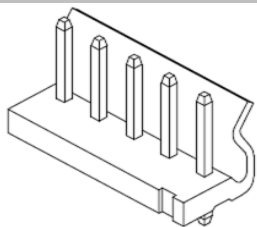


<b>Wafer Serie T68Dxxxx Pitch 5,08mm</b>	
Part No.:	<b>T68D002</b>
Customer:	

DRW:	Jason	CHKD	Wilson	MATL:	Wilson	TOLERANCE	Mason	DATE	02.04.2009
APPD:	Schumi			FINISH	Jamy		Sheet No.	1 from 4	



# EDCON-COMPONENTS



## Ordering Informations

Serie	Number of Pos.	Color of Body	Packing							
-------	----------------	---------------	---------	--	--	--	--	--	--	--

<b>T68D002</b>	<b>02</b>	<b>NA</b>	<b>BU</b>							
----------------	-----------	-----------	-----------	--	--	--	--	--	--	--

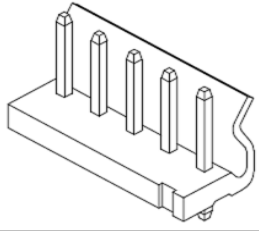
<b>xx = Pos.</b>	<b>NA= Natural</b>	<b>BU= Bulk-ware</b>								
	<b>WH= White</b>									

<b>Wafer Serie T68Dxxxx Pitch 5,08mm</b>	
Part No.:	<b>T68D002</b>
Customer:	

DRW:	Jason	CHKD	Wilson	MATL:	Wilson	TOLERANCE	Mason	DATE	02.04.2009
APPD:	Schumi			FINISH	Jamy		Sheet No.		3 from 4

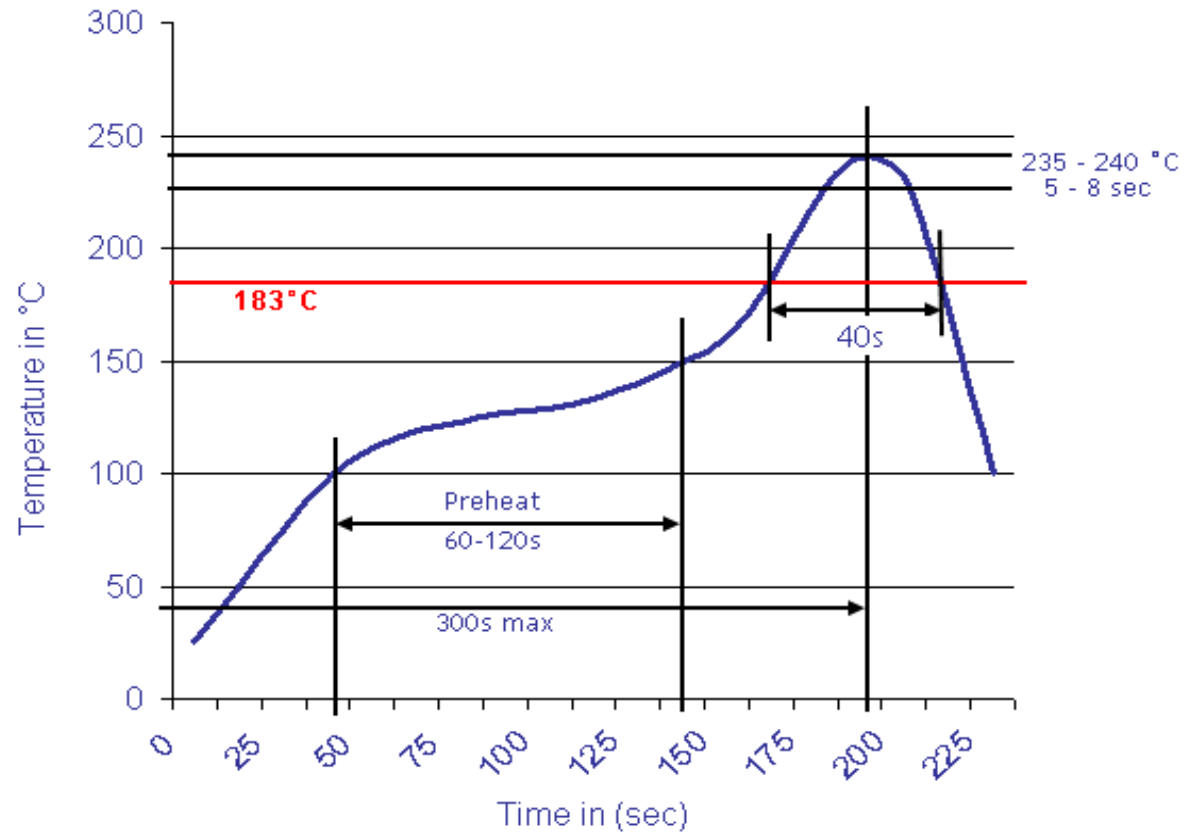
[www.edcon-components.com](http://www.edcon-components.com)

email: [info@edcon-components.com](mailto:info@edcon-components.com)



Soldering Profile Curve

Classification Reflow Profile (JEDEC J-STD-020C)



Wafer Serie T68Dxxxx Pitch 5,08mm

Part No.: **T68D002**

DRW:	Jason	CHKD	Wilson	MATL:	Wilson	TOLERANCE	Mason	DATE	02.04.2009
APPD:	Schumi			FINISH	Jamy		Sheet No.	4 from 4	

Customer: