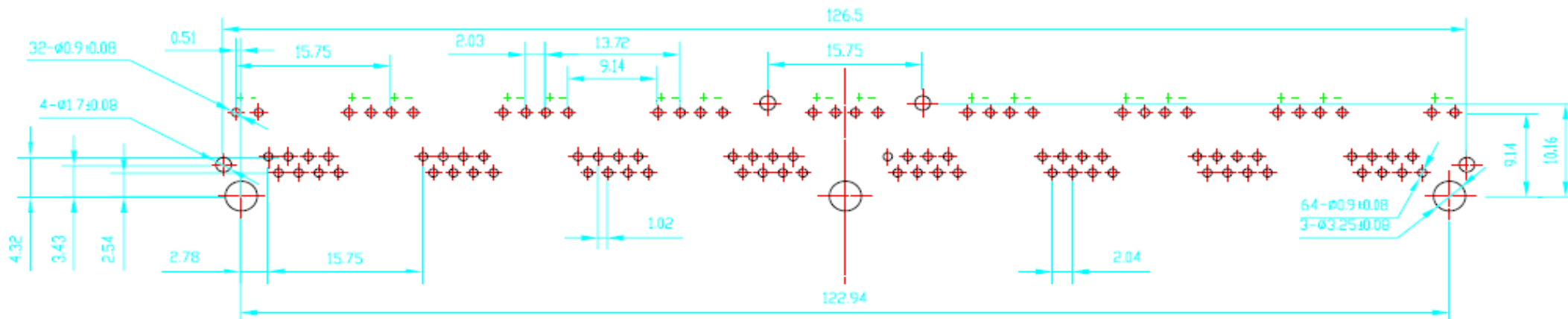


# EDCON-COMPONENTS



## Technical Discription

## PCB Layout



### Material

Housing: ABS RESIN (UL94V-0)  
 PBT(UL94V-0 PA66(UÖ94V-0)  
 PA46(UL94V-0)  
 Diameter 0,45mm Phosphor  
 Bronze Gold Plating over Nickel

Contact wire: 0,35mm thickness phosphor  
 bronze alloy selective Gold plating  
 over nickel

Shield 0,20~0,25mm thickness brass with  
 tin plated

Contact Plating Gold Flash, 3µ / 6µ / 15µ / 30µ 50µ  
 inch

Working Temperatur . -40°C ~ +70°C

### Electrical

Current Rating: 1,5A  
 Voltage Rating: 125VAC  
 Insulation Resistance: 1000M Ω min.  
 Contact Resistance: 30M Ω max.  
 Withstanding Voltage: AC1000V RMS 50/60Hz 1min.

### Mechanical

Insertion Force: 2,2Kg.F.max.  
 Retention Strength: 7,7Kg.F min.between jack a. plug  
 Durability: 600 mating cycles min.

### PCB Modular Jack with shield with LED + Feder

Part No.: T91A26014-

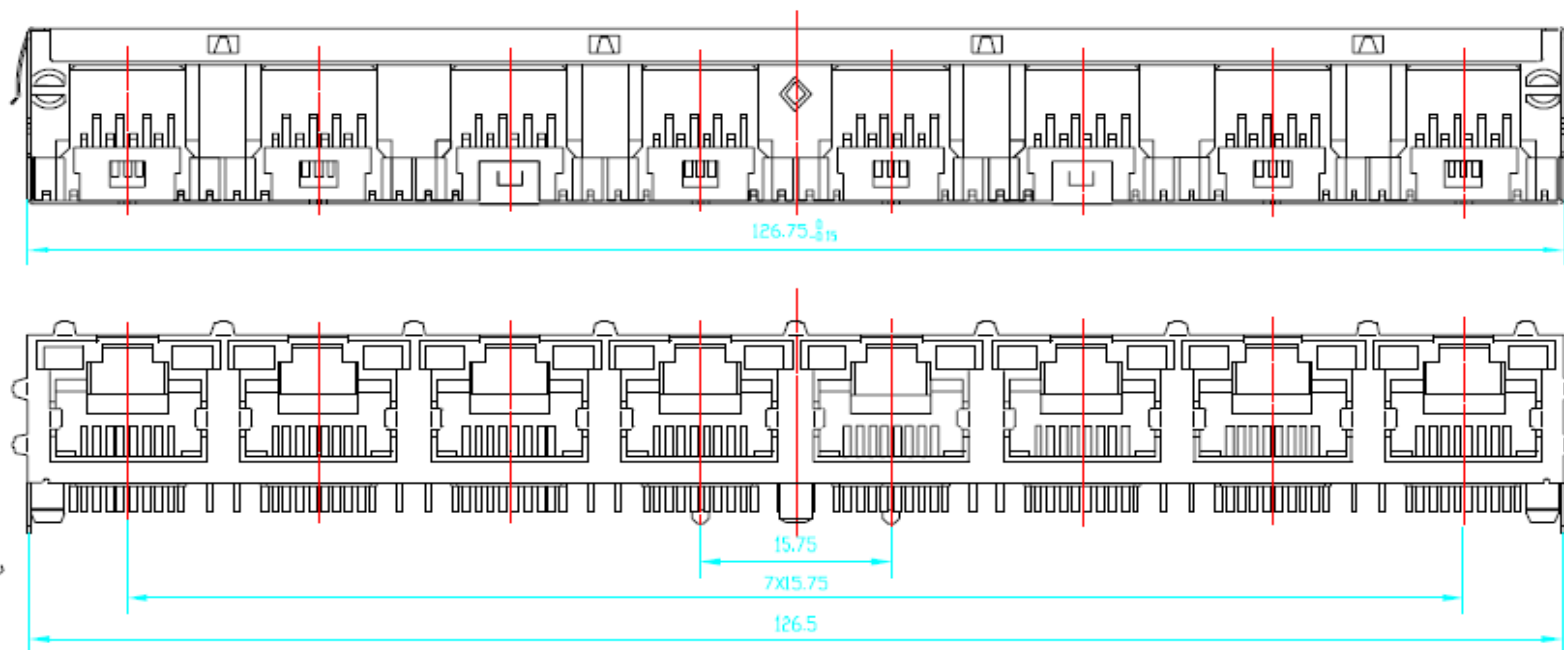
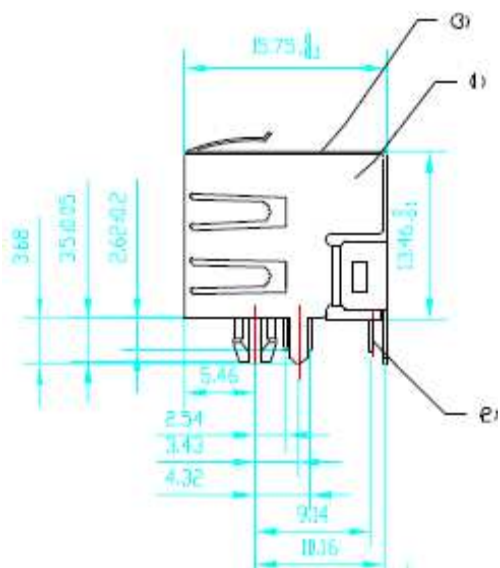
DRW:	John	CHKD	Tony	MATL:	Tony	TOLERANCE	Su	DATE	01.03.2014
APPD:	Jimmy			FINISH	Jeff		Sheet No.		1 from 4

Customer:

[www.edcon-components.com](http://www.edcon-components.com)

email: info@edcon-components.com

# EDCON-COMPONENTS



<b>PCB Modular Jack with shield with LED + Feder</b>	
Part No.:	<b>T91A26014-</b>
Customer:	

DRW:	John	CHKD	Tony	MATL:	Tony	TOLERANCE	Su	DATE	01.03.2014
APPD:	Jimmy			FINISH	Jeff		Sheet No.	2 from 3	

[www.edcon-components.com](http://www.edcon-components.com)

email: [info@edcon-components.com](mailto:info@edcon-components.com)

Copyright by S.Tiede

**EDCON-COMPONENTS**



**Ordering Informations**

Serie	No. Of. Positions	No. Of Contact	Contact Plating	Special function	ROHS	Packing				
<b>T91A26014-</b>	<b>8</b>	<b>8</b>	<b>GF</b>	<b>N</b>	<b>R</b>	<b>TY</b>				

<b>8=</b> 8Pos.	<b>8=</b> 8 Pos. connecting	<b>GF=</b> Gold Flash	<b>N=</b> No special function	<b>R=</b> ROHS conform	<b>TY=</b> Tray Packing
		<b>GA=</b> 3µGold Plating		<b>N=</b> NON ROHS conform	<b>BU=</b> Bulk-Ware
		<b>GB=</b> 6µGold Plating			
		<b>GC=</b> 15µGold Plating			
		<b>GD=</b> 30µGold Plating			
		<b>GE=</b> 50µGold Plating			

<b>PCB Modular Jack with shield with LED + Feder</b>
Part No.: <b>T91A26014-</b>
Customer:

DRW:	John	CHKD	Tony	MATL:	Tony	TOLERANCE	Su	DATE	01.03.2014
APPD:	Jimmy			FINISH	Jeff		Sheet No.		3 from 4

[www.edcon-components.com](http://www.edcon-components.com)

email: info@edcon-components.com

Copyright by S.Tiede

**EDCON-COMPONENTS**

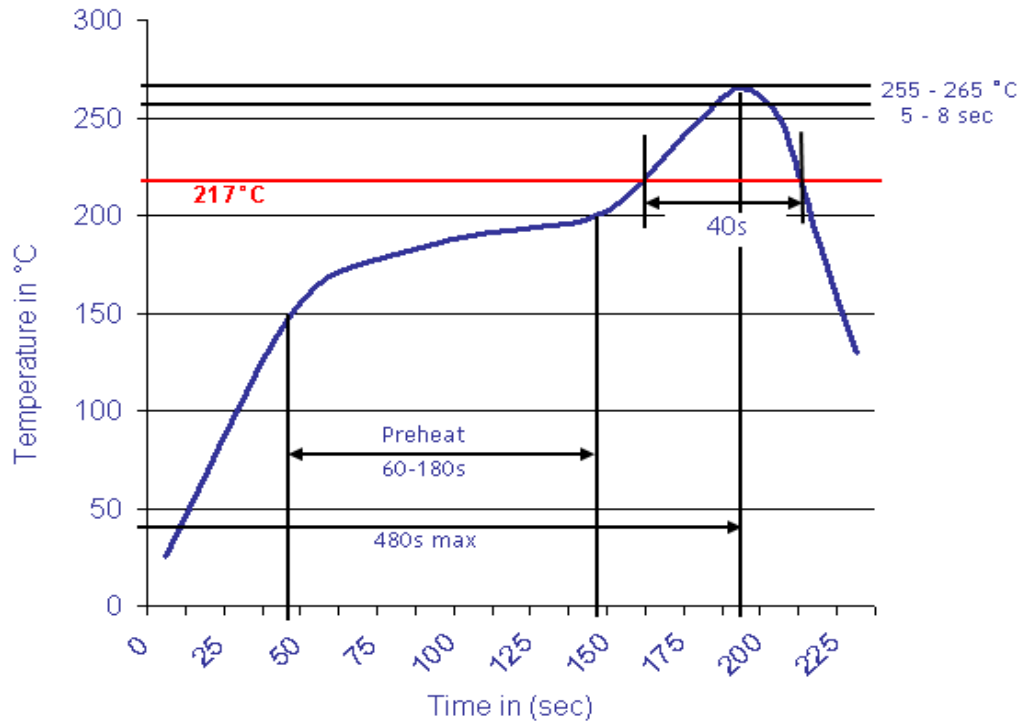




**Soldering Profile Curve**

**Lead Free Soldering Curve**

**Classification Reflow Profile (JEDEC J-STD-020C)**



<b>PCB Modular Jack with shield with LED + Feder</b>	
Part No.:	<b>T91A26014-</b>
Customer:	

DRW:	John	CHKD	Tony	MATL:	Tony	TOLERANCE	Su	DATE	01.03.2014
APPD:	Jimmy			FINISH	Jeff		Sheet No.	4 from 4	