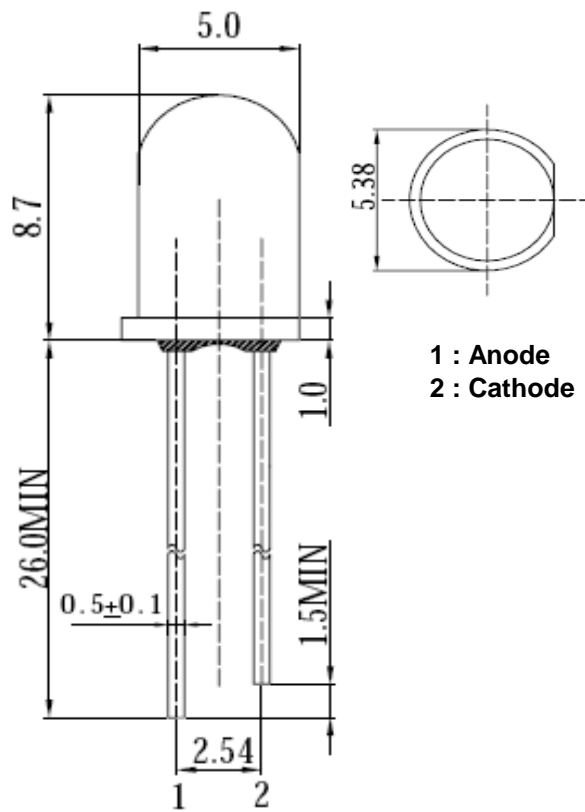




Applications

- Electronic Signs and Signals
- Small Area Illuminations
 - Back Lighting
 - Other Lighting

Technical Drawing



1 : Anode
 2 : Cathode

Notes :

All dimensions in mm tolerance is $\pm 0.1\text{mm}$ unless otherwise noted.

| | |
|-------------------------------------|-----------------|
| Round Blinking LED Green | |
| Part No.: | M13J4004 |
| Customer: | |

| | | | | | | | |
|-------|------|------|-------|--------|------|-------|------------|
| DRW: | Dong | CHKD | Chang | MATL: | Chui | DATE | 04.12.2009 |
| APPD: | Ping | | | FINISH | Hui | Sheet | 1 from 6 |



Absolute Maximum Ratings

Ta=25°C

| Item | Symbol | InGaN | Unit |
|---------------------------|-------------------|------------|---------|
| Power Dissipation | P _D | 70 | mW |
| DC Forward Current | I _F | 20 | mA |
| Pulsed Forward Current | I _{FP} * | 100 | mA |
| Reverse Voltage | V _R | 5 | V |
| Operating Temperature | T _{OP} | -30 to 80 | °C |
| Storage Temperature | T _{ST} | -40 to 100 | °C |
| Derating Linear From 50°C | --- | 0.4 | mA / °C |

* 0.1 msec pulse, 10% duty cycle

Electrical / Optical Characteristics

I_F=20mA Ta=25°C

| Ermitting Color | Green | | |
|----------------------|----------------|-----|----------------|
| Material | InGaN | | |
| Forward Voltage | typ. | 5.0 | V _F |
| | max. | --- | V _F |
| Wavelength typ. | λ _D | 505 | nm |
| | λ _P | 510 | nm |
| | Δλ | 20 | nm |
| Oscillator Frequency | min. | 2.0 | Hz |
| | typ. | 2.4 | Hz |
| | max. | 2.8 | Hz |
| Duty Cycle | typ. | --- | --- |
| Luminous Intensity * | min. | --- | mcd |
| | typ. | --- | mcd |
| Reverse Current | max. | 50 | μA |
| Viewing Angle | 2Θ1/2 | 160 | |

* Per NIST standards

**Round Blinking LED
Green**

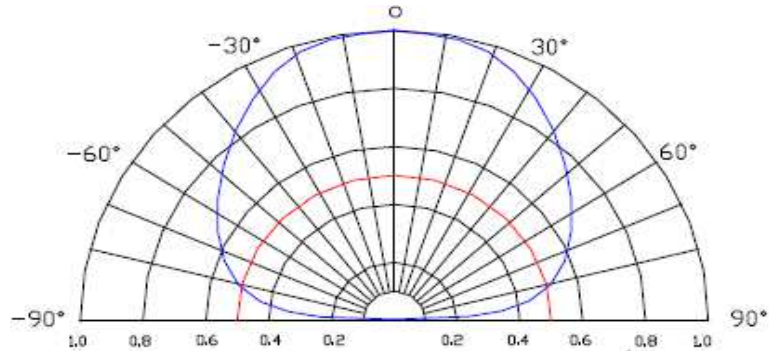
Part No.: **M13J4004**

Customer:

| | | | | | | | |
|-------|------|------|-------|--------|------|-------|------------|
| DRW: | Dong | CHKD | Chang | MATL: | Chui | DATE | 04.12.2009 |
| APPD: | Ping | | | FINISH | Hui | Sheet | 2 from 6 |



Directive Characteristics



**Round Blinking LED
Green**

Part No.: **M13J4004**

Customer:

| | | | | | | | |
|-------|------|------|-------|--------|------|-------|------------|
| DRW: | Dong | CHKD | Chang | MATL: | Chui | DATE | 04.12.2009 |
| APPD: | Ping | | | FINISH | Hui | Sheet | 3 from 6 |



Curve

| | |
|-------------------------------------|-----------------|
| Round Blinking LED Green | |
| Part No.: | M13J4004 |
| Customer: | |

| | | | | | | | |
|-------|------|------|-------|--------|------|-------|------------|
| DRW: | Dong | CHKD | Chang | MATL: | Chui | DATE | 04.12.2009 |
| APPD: | Ping | | | FINISH | Hui | Sheet | 4 from 6 |



Solder Condition

Lead Free Solder

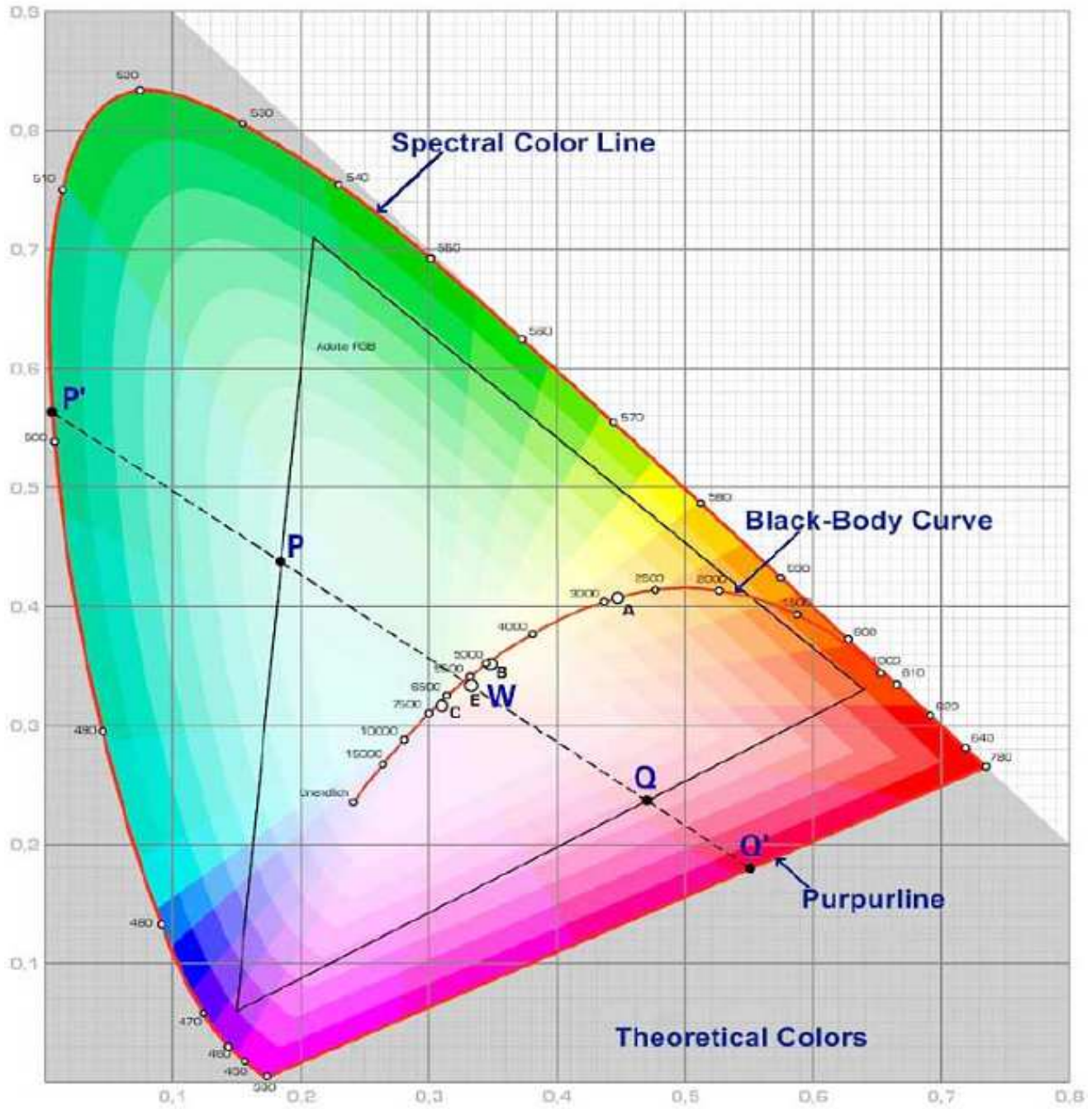


| | |
|-------------------------------------|-----------------|
| Round Blinking LED Green | |
| Part No.: | M13J4004 |
| Customer: | |

| | | | | | | | |
|-------|------|------|-------|--------|------|-------|------------|
| DRW: | Dong | CHKD | Chang | MATL: | Chui | DATE | 04.12.2009 |
| APPD: | Ping | | | FINISH | Hui | Sheet | 5 from 6 |



Color table curve



| | |
|-------------------------------------|-----------------|
| Round Blinking LED Green | |
| Part No.: | M13J4004 |
| Customer: | |

| | | | | | | | |
|-------|------|------|-------|--------|------|-------|------------|
| DRW: | Dong | CHKD | Chang | MATL: | Chui | DATE | 04.12.2009 |
| APPD: | Ping | | | FINISH | Hui | Sheet | 6 from 6 |

Copyright by EDCON-COMPONENTS