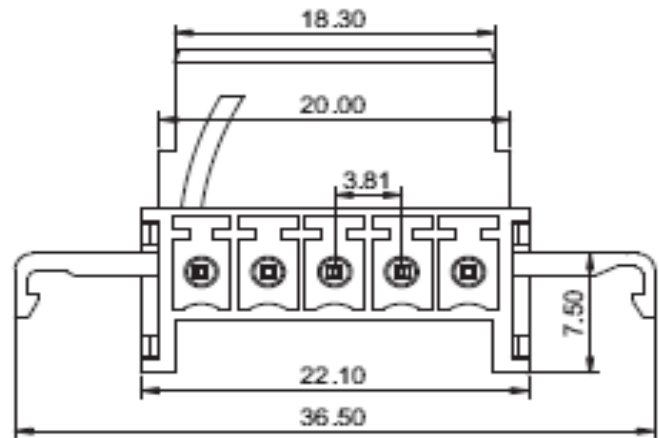
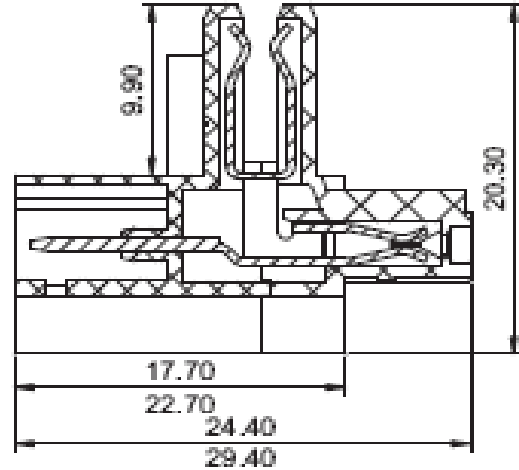




DIN RAIL BUS-CONNECTOR

Technical Specification

Material:	PA66, UL94V-0
UL:	300V / 7A
IEC:	250V / 7A
Withstanding Voltage:	AC2000V/1Min
Temperatur Range:	. -40°C ~ +105°C
Pitch:	3,81mm
Number of Position	5



Ordering Information

Serie	Color of Case	Space	ROHS	Packing
-------	---------------	-------	------	---------

H36023	LG	A	R	BU
---------------	-----------	----------	----------	-----------

LG= Light Gray	A= Width 17,5mm	R= ROHS conform	BU1= Bulk Ware
XX= other Color on Request (MOQ is important)	B= Width 22,5mm	N= NON ROHS conform	

DIN-RAIL BUS-Connector	
Serie.:	H36023
Customer:	

DRW:	Jason	CHKD	Jules	MATL:	Wu	DATE	12.03.2016
APPD:	Join			FINISH	Shieh	Sheet	1 from 1

Copyright by S.Tiede