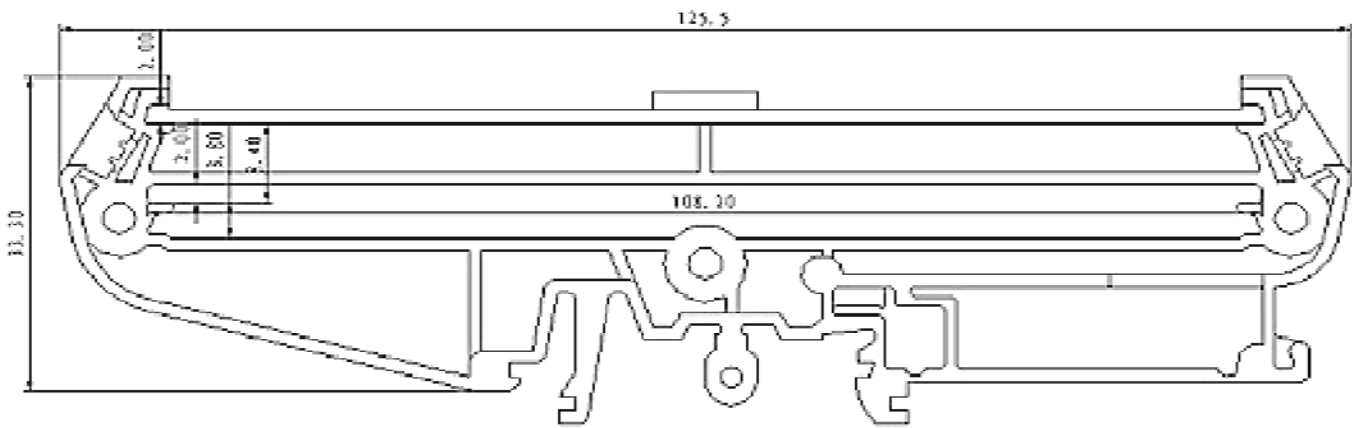


DIN RAIL ENCLOSURE

Technical Specification

Material: PA66, UL94V-0
 UL: 125V / 4A
 IEC: 130V / 10A
 Withstanding Voltage: AC1250V/1Min
 Temperatur Range: . -40°C ~ +105°C



Ordering Information

Serie	Color of Case	Length of Plastic	ROHS	Packing		
H36021	PG	1000	R	BU		
	PG= Phoenix Green	1000= 1000mm	R= ROHS conform	BU= Bulk Ware 1PCS		
	XX= other Color on Request (MOQ is important)	xxxx= you can create all mm to max. 2000mm	N= NON ROHS conform			

Serie	Color of Case	Endside Cap	ROHS	Packing
H36021	PG	L	R	BU
	PG= Phoenix Green	L= Left Side	R= ROHS conform	BU= Bulk Ware
		R= Right Side	N= NON ROHS conform	

DIN-RAIL Electronic Enclosure	
Part No.:	
Customer:	

DRW:	Jason	CHKD	Jules	MATL:	Wu	DATE	05.04.2017
APPD:	Join			FINISH	Shieh	Sheet	1 from 1