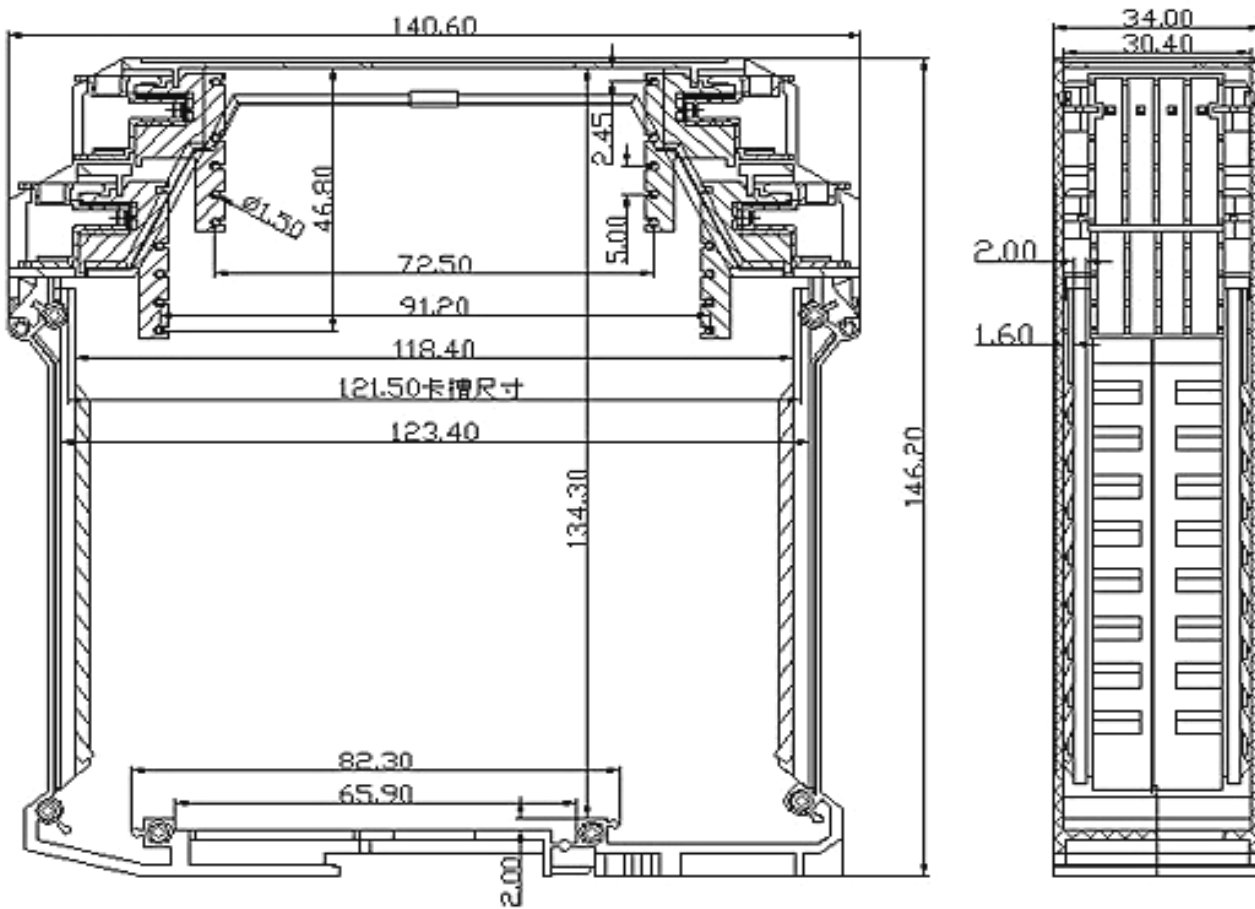




DIN RAIL ENCLOSURE

Technical Specification

Material: PA66, UL94V-0
 UL: 125V / 4A
 IEC: 130V / 10A
 Withstanding Voltage: AC1250V/1Min
 Temperatur Range: . -40°C ~ +105°C



Ordering Information

Serie	Color of Case	ROHS	Packing			
H36019	PG	R	BU1			

PG= Phoenix Green	R= ROHS conform	BU1= Bulk Ware 1PCS
XX= other Color on Request (MOQ is important)	N=NON ROHS conform	

DIN-RAIL Electronic Enclosure	
Part No.:	
Customer:	

DRW:	Jason	CHKD	Jules	MATL:	Wu	DATE	16.12.2010
APPD:	Join			FINISH	Shieh	Sheet	1 from 1